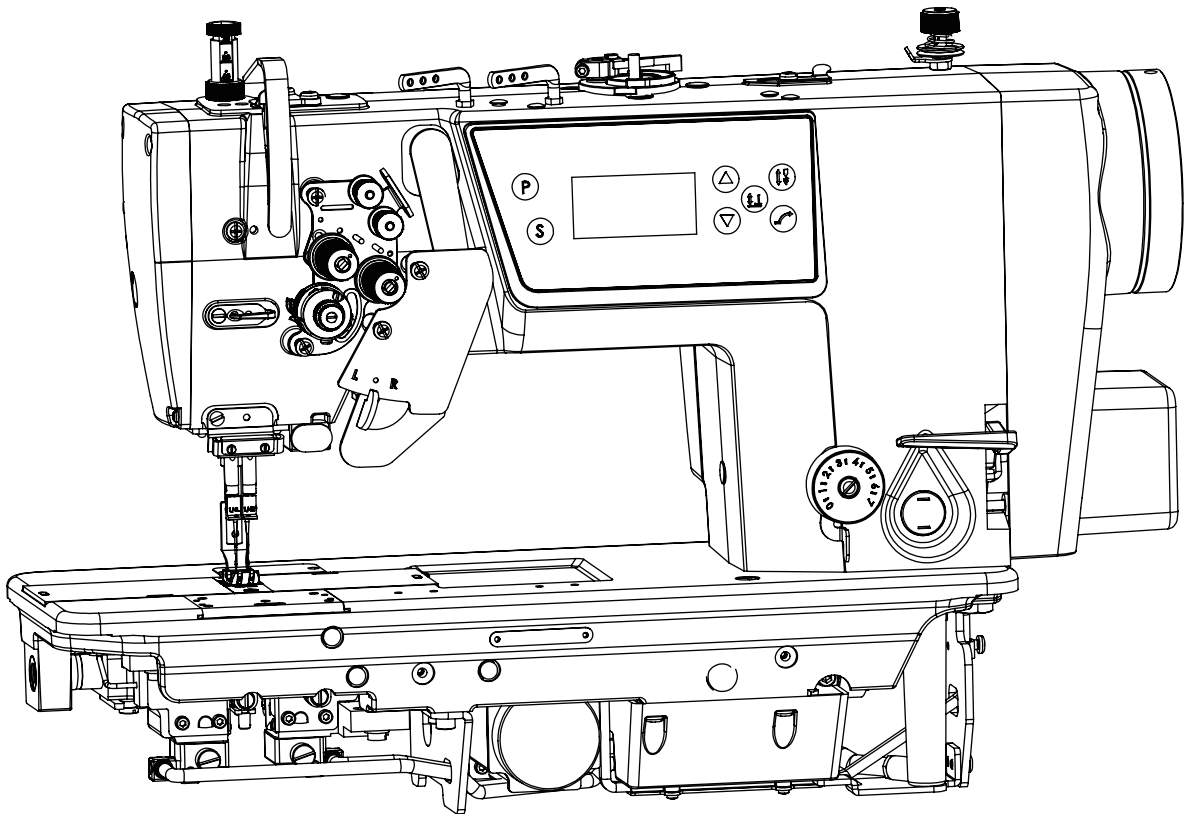

在使用缝纫机之前请阅读本使用说明书。
请将本使用说明书放在便于查阅的地方保管。

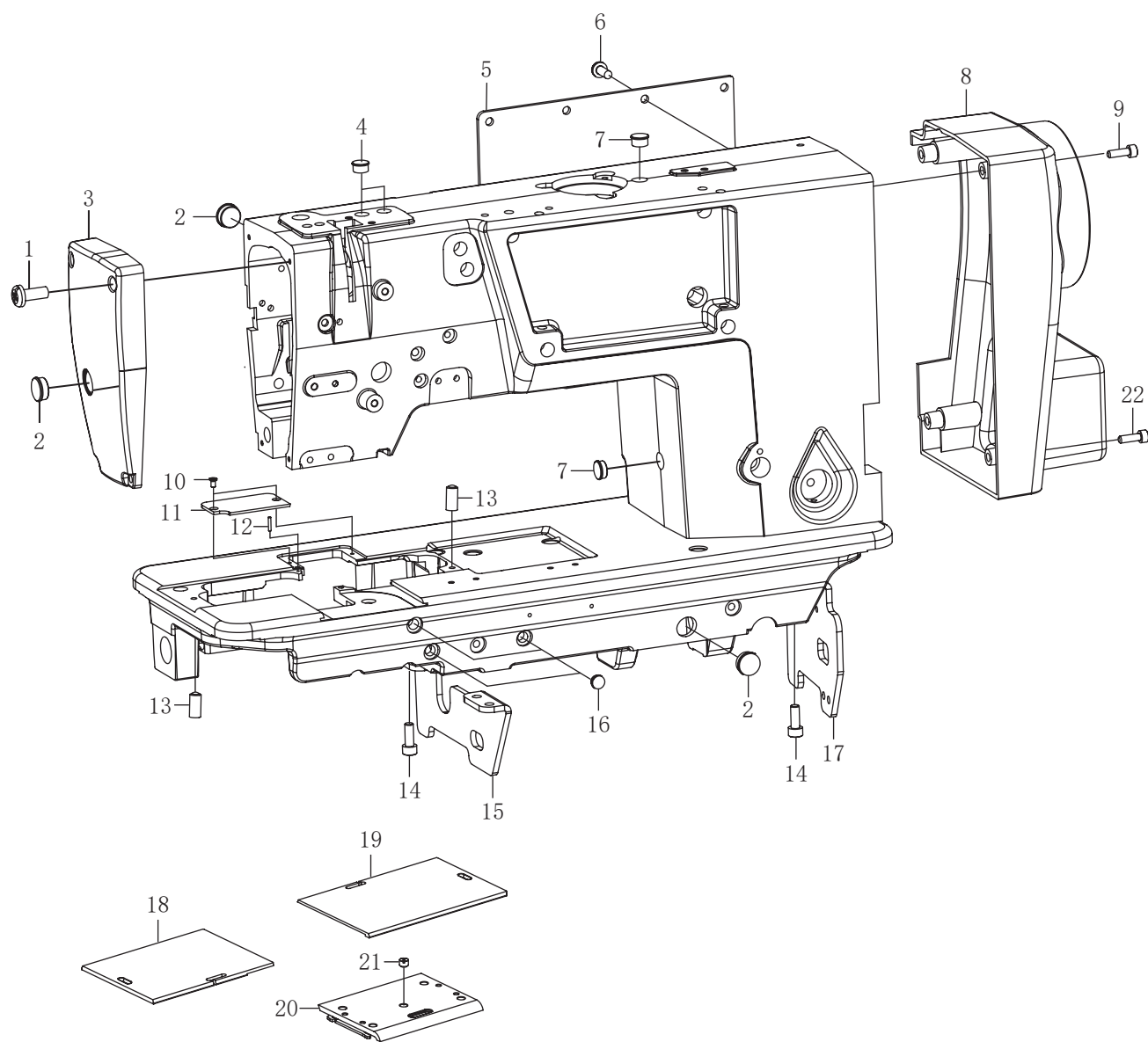
双针单步进平缝机



目 录

1. 机体部分/Machine body	2
2. 上轴装置/Upper shaft mechanism	4
3. 针杆摆动装置/Needle bar rocking mechanism	8
4. 针杆切换操作装置/Needle bar rocking mechanism	10
5. 压脚装置/Presser foot mechanism	12
6. 送布装置/Feed mechanism	16
7. 送布轴装置/Feed shaft mechanism	20
8. 定规部件/Gauge parts	22
9. 旋梭部件/Rotary hook mechanism	24
10. 旋梭装置/Rotary hook mechanism	28
11. 下轴装置/Lower shaft mechanism	28
12. 供油润滑装置/Lubrication	30
13. 穿线装置/Threading mechanism	34
14. 控制箱/Control box	34
15. 附件/Accessories	36

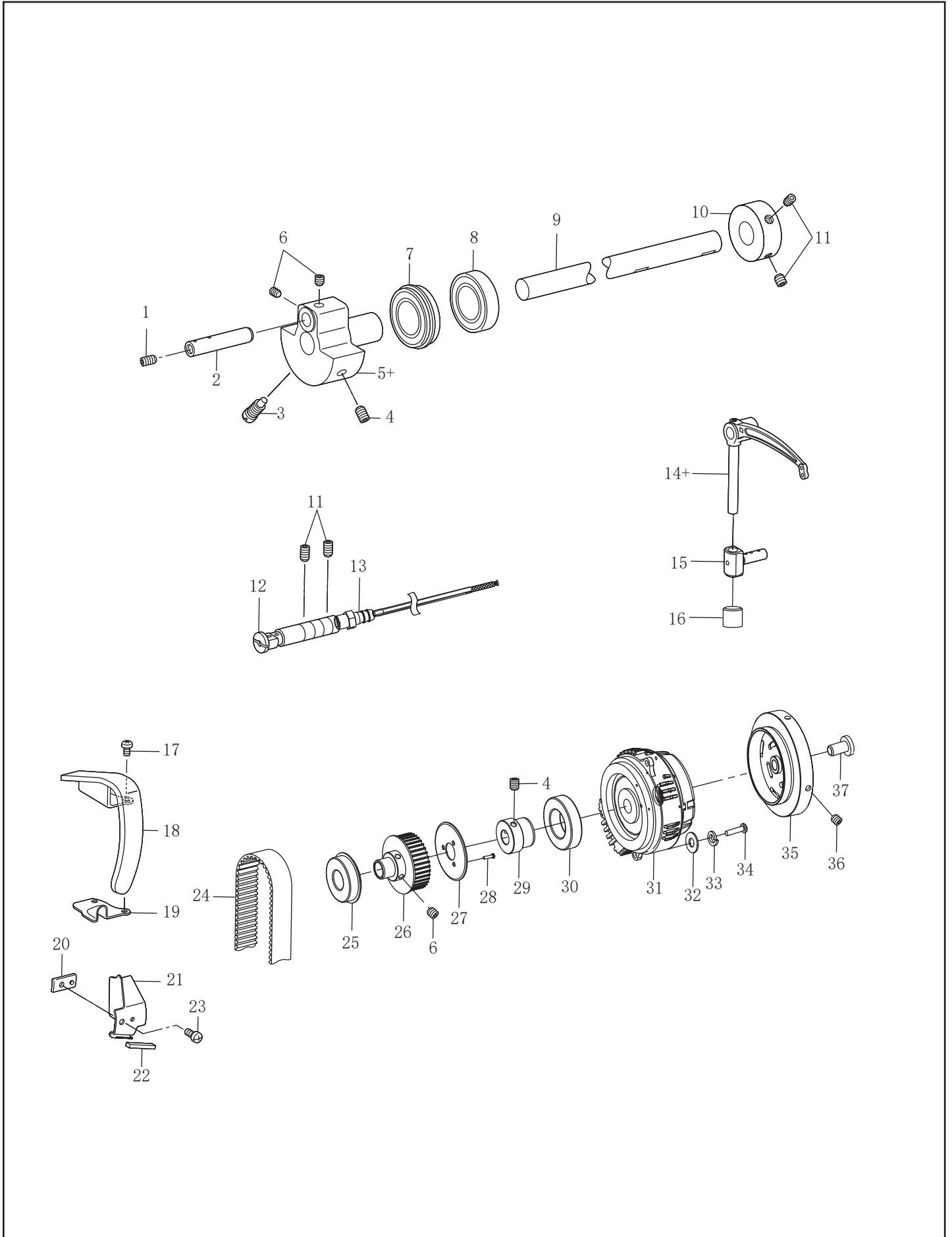
1.机体部分/Machine body



1. 机体部分/Machine body

序号	图号	数量	名称	NAME OF PARTS
1	062351212	4	螺钉M3.5×12	SCREW PAN M3.5×12
2	115010701	3	橡皮塞15.5	RUBBER CAP 15.5
3	124010301-1	1	面板	FACE PLATE
4	115011001	2	橡皮塞10.5	RUBBER CAP 10.5
5	115010401	1	后盖板	REAR COVER
6	062501016	9	螺钉M5×10	SCREW PAN M5×10
7	101011001	2	橡皮塞12.5	RUBBER CAP 12.5
8	124011201	1	电机罩	MOTOR COVER
9	018502032	3	螺钉M5×20	SCREW PAN M5×20
10	125080401	2	螺钉M3×6	SCREW PAN M3×6
11	124012501	1	后推板	SLIDE PLATE
12	124011301	1	针板定位销	POSITIONING PIN
13	124013101	2	波珠螺钉M5×10	SCREW PAN M5×10
14	018061232	5	螺钉M6×12	SCREW PAN M6×12
15	124011902	1	右支撑板	SUPORRT PLATE L
16	115012701	3	橡皮塞8.5	RUBBER CAP 8.5
17	124012001	1	右支撑板	SUPORRT PLATE R
18	124011401	1	推板L	SLIDE PLATE L
19	124011501	1	推板R	SLIDE PLATE R
20	124013001	1	推板F	SLIDE PLATE F
21	124012601	1	螺钉SM5.16×32-6	SCREW PAN SM5.16×40-6
22	018503032	1	螺钉M5×30	SCREW PAN M5×30

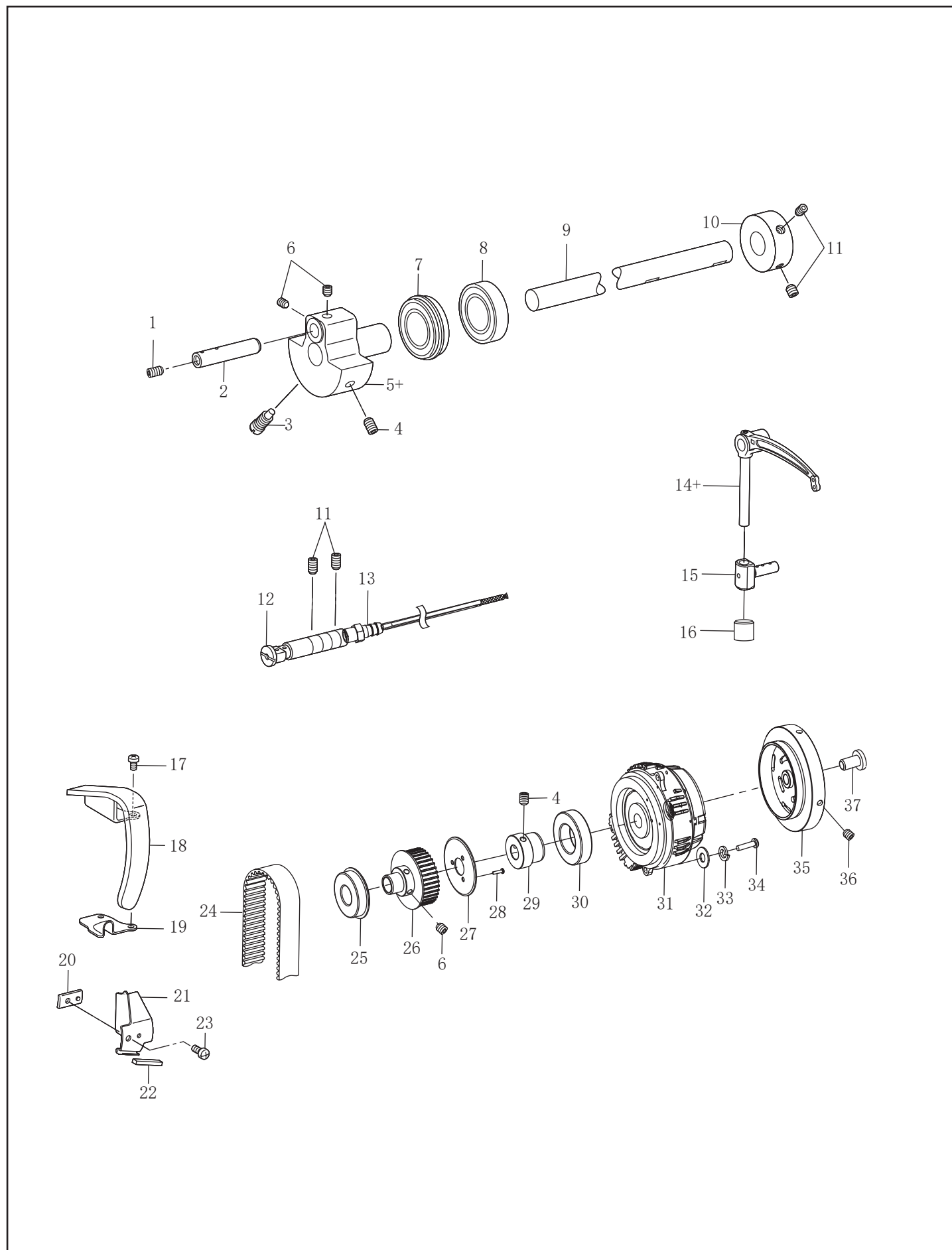
2. 上轴装置/Shaft mechanism



2. 上轴装置/Upper shaft mechanism

序号	图号	数量	名称	NAME OF PARTS
1	012500536	1	螺钉M5×5	SCREW PAN M5×5
2	124020201	1	针杆曲柄轴	CRANK SHAFT
3	124020301	1	螺钉M8	SCREW PAN M8
4	014601016	3	螺钉M6×0.75-10	SCREW PAN M6×0.75-10
5+	124020502	1	挑线杆曲柄(单针杆)	THREAD TAKE-UP CRANK
5+	125020502	1	挑线杆曲柄(双针杆)	THREAD TAKE-UP CRANK
6	012600636	4	螺钉M6×0.75-6	SET SCREW PAN M6×0.75-6
7	115024501	1	轴承6004ZZNR	BALL BEARING 6004ZZNR
8	124020801	1	轴承6004ZZ	BALL BEARING 6004ZZ
9	124020903	1	上轴DD	UPPER SHAFT DD
10	115021201	2	卷线驱动轮	BOBBIN WINDER DRIVING WHEEL
11	012501032	2	螺钉M5×10	SCREW PAN M5×10
12	124021301	1	挑线杆支撑轴	THREAD TAKE-UP S-SHAFT UNIT
13	124024001	1	油嘴	NOZZLE
14+	124021401-1	1	挑线杆(小梭)	T-TAKE-UP LEVER ASSY
14+	125021401	1	挑线杆 R(大梭)	T-TAKE-UP LEVER ASSY R
15	124021501	1	挑线杆滑块	T-TAKE-UP SLIDE BLOCK
16	115022801	1	橡皮塞 4.2	RUBBER CAP 4.2
17	062500816	2	螺钉M5×8	SCREW PAN M5×8
18	124021701	1	挑线杆防护罩	THREAD TAKE-UP LEVER COVER
19	124021801	1	防尘盖	DUST COVER
20	124021901	1	遮掩板支座	HOLDER, SHELTER PLATE
21	124022001	1	遮掩板	SHELTER PLATE
22	124022101	1	油毡	FELT
23	062501016	1	螺钉M5×10	SCREW PAN M5×10
24	124022301	1	同步皮带	TIMING BELT
25	124022401	1	轴承6204ZZNR	BALL BEARING, 6204ZZNR
26	124022601	1	同步轮 U	TIMING PULLEY, U
27	124022701	1	同步轮U法兰	PULLEY U FLANGE
28	062400612	3	螺钉M4×6	SCREW PAN M4×6
29	124022901	1	轴承套	BEARING SLEEVE
30	124023001	1	轴承6006ZZ	BALL BEARING 6006ZZ

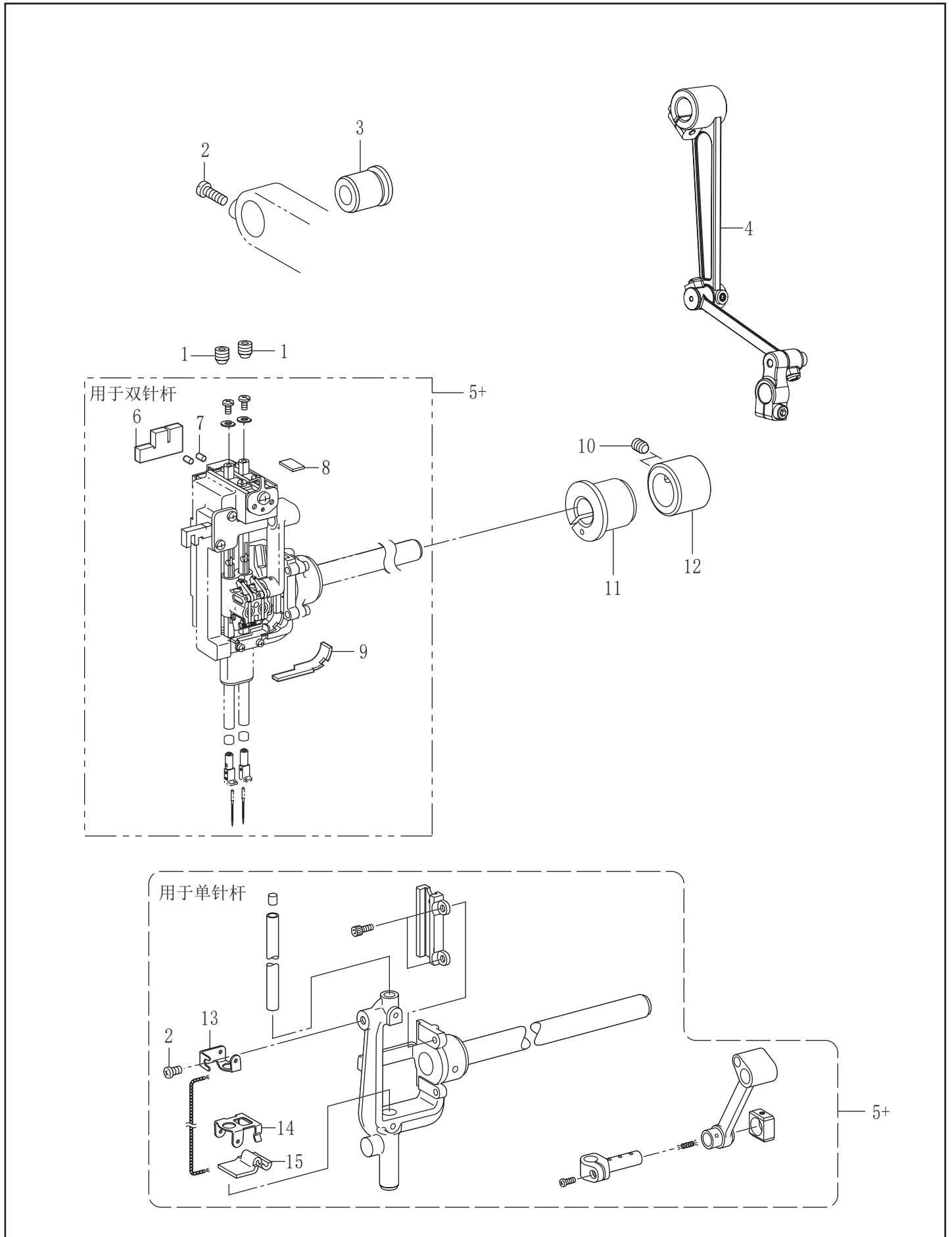
2. 上轴装置/Upper shaft mechanism



2. 上轴装置/Upper shaft mechanism

序号	图号	数量	名称	NAME OF PARTS
31	124025102	1	主轴电机组件	SERVO MOTOR ASSY
32	025050132	3	垫圈 M5	WASHER
33	028050246	3	弹性垫圈 T5	SPRING WASHER T6
34	018501432	3	螺钉M5×14	SCREW M5×14
35	124025202	1	手轮	FILM ROTATING AND ENCODER
36	014760632	2	螺钉SM5.95×28-8	SCREW PAN SM5.95×28-8
37	115025401	1	螺钉SM8.37	HAND WHEEL ASSY

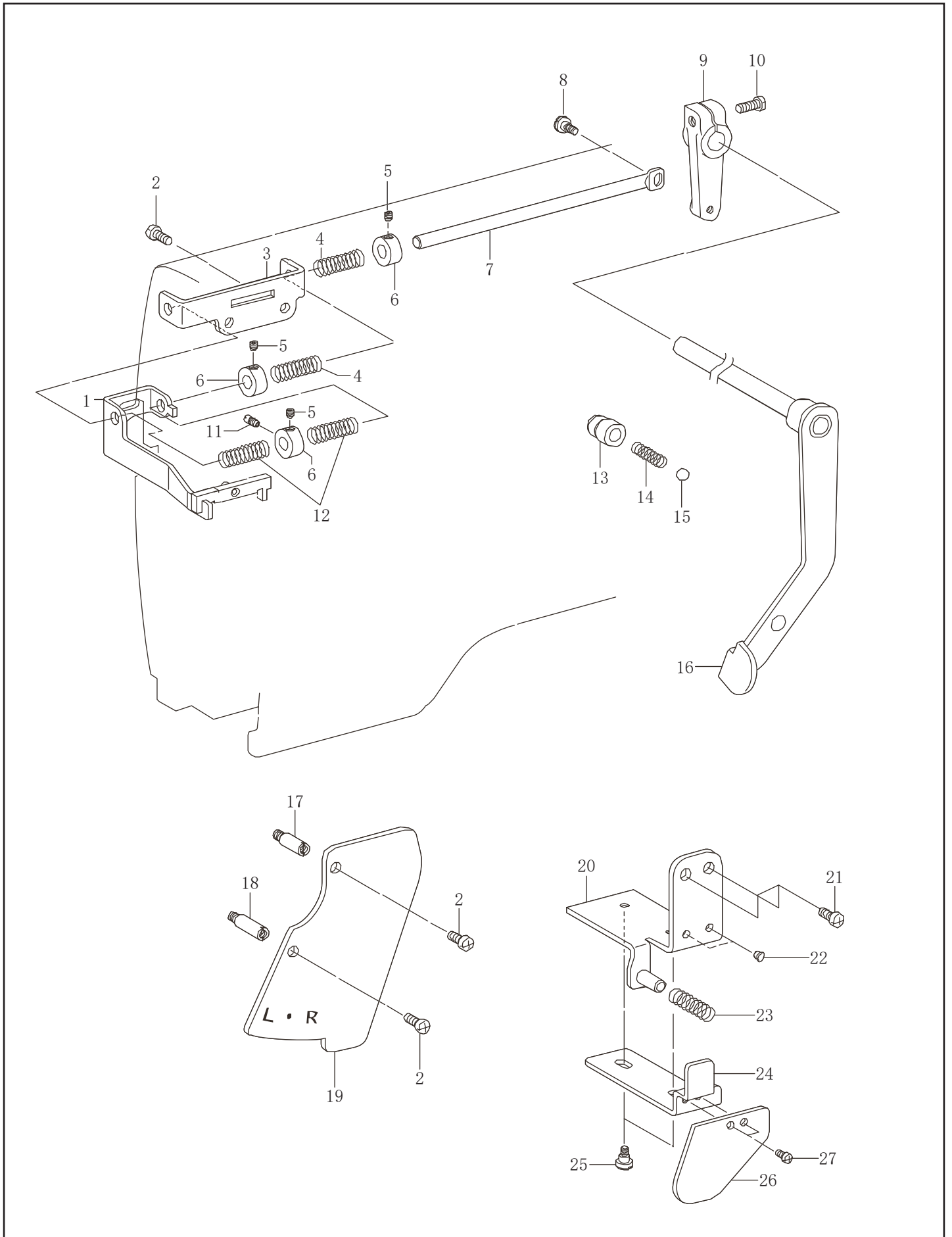
3. 针杆摆动装置/Needle bar rocking mechanism



3. 针杆摆动装置/Needle bar rocking mechanism

序号	图号	数量	名称	NAME OF PARTS
1	014080832	2	螺钉M8×8 (双针杆)	SCREW PAN M8×8
2	062501016	2	螺钉M5×10	SCREW PAN M6×10
3	124030301	1	摆动轴轴套R	BUSH R
4	124030401	1	针杆摆动大组件	NEEDLE BAR ROCKER LEVER ASSY
5+	124031801	1	针杆支架组件(单针杆)	NEEDLE BAR ROCKER SHAFT UNIT
5+	125031801	1	针杆支架组件(双针杆)	NEEDLE BAR ROCKER SHAFT UNIT
6	124032201	1	针杆支架油毡U	FELT
7	124032401	2	针杆支架油毡塞	FELT
8	124032601	1	针杆支架油毡	FELT
9	124032301	1	针杆支架油毡D	FELT
10	012600636	2	螺钉M6×0.75-6	SCREW PAN M6×0.75-6
11	124031501	1	轴套L	BUSH L
12	124031701	1	紧圈	SET SCREW COLLAR
13	124031901	1	油毡上支架	FELT SUPPORT U
14	124032001	1	油毡下支架	FELT SUPPORT D
15	124032101	1	针杆支架油毡	FELT

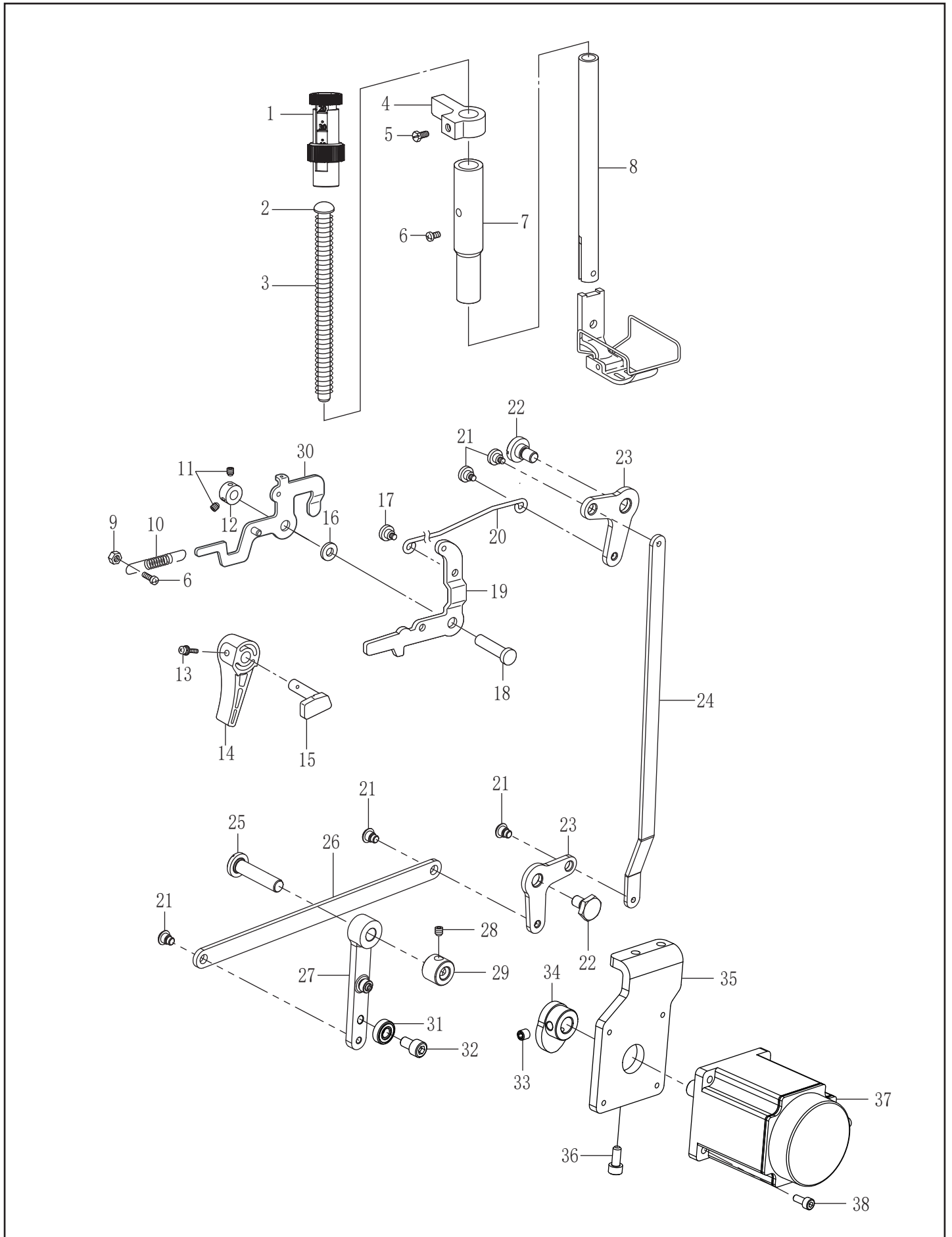
4. 针杆切换操作装置/Needle bar rocking mechanism



4. 针杆切换操作装置/Needle bar rocking mechanism

序号	图号	数量	名称	NAME OF PARTS
1	124040101	1	支架板	SUPPORT PLATE SLIDE SHAFT
2	062500816	4	螺钉 M5×8	SCREW PAN M5×8
3	124040301	1	滑轴架	SLIDE SHAFT BRACKET
4	124040401	2	弹簧	SPRING
5	012400536	5	螺钉 M4×5	SCREW PAN M4×5
6	124040601	3	紧圈	SET SCREW COLLAR
7	124040701	1	滑动轴	SLIDE SHAFT
8	124040801	1	段螺钉 M4	SHOULDER SCREW M4
9	124040901	1	轴臂	ARM LEVER SHAFT
10	062501416	1	螺钉 M5×14	SCREW PAN M5×14
11	124041101	1	导向螺钉	GUIDE SCREW
12	124041201	2	弹簧	SPRING
13	124041301	1	导向套	BALL GUIDE BUSH
14	124041401	1	弹簧	SPRING
15	124041501	1	钢球 1/4	BEARING BALL 1/4
16	124041601	1	定位杆轴	STOP LEVER SHAFT ASSY
17	124041701	1	螺栓 S	STUD S
18	124041801	1	螺栓 L	STUD L
19	124041901	1	切换指示板	FLIP-UP HOLDER PLATE
20	124042001	1	指示板组件	INDICATION PLATE ASSY
21	062501016	2	螺钉 M5×10	SCREW PAN M5×10
22	124042101	2	橡皮塞 4.3	RUBBER CAP 4.3
23	124042201	1	弹簧	SPRING
24	124042301	1	压杆	PUSH LEVER
25	124042401	2	轴位螺钉 M4	SHOULDER SCREW M4
26	124042501	1	压杆板	PLATE PUSH LEVER
27	062350512	2	螺钉 M3.5×5	SCREW PAN M3.5×5

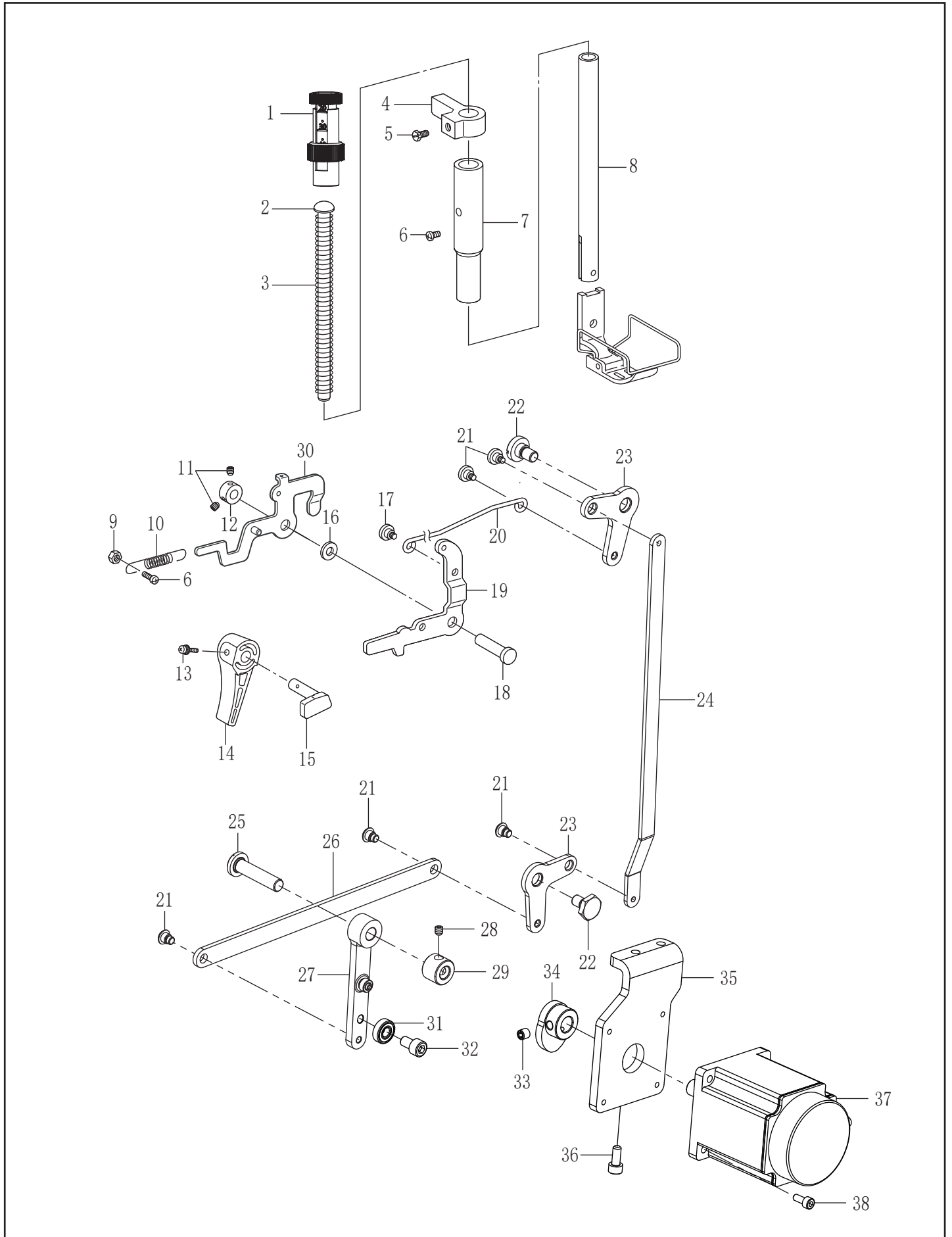
5. 压脚装置/Presser foot mechanism



5. 压脚装置/Presser foot mechanism

序号	图号	数量	名称	NAME OF PARTS
1	124050101	1	调节螺栓 M14	PRESSER ADJUSTING SCREW M14
2	115030401	1	弹簧导杆	SPRING GUIDE
3	125050401	1	压紧弹簧	PRESSER BAR SPRING
4	124050501	1	压紧杆导架	GUIDE BRACKET P-BAR
5	124050601	1	螺栓 M6	BOLT (CP) M6
6	062501016	2	螺钉 M5×10	SCREW PAN M5×10
7	124050801	1	压杆轴套	PRESSER BAR BUSH
8	124050901	1	压紧杆	PRESSER BAR
9	021500106	1	螺母 M5	NUT M5
10	124051301	1	弹簧	SPRING
11	152201701	2	螺钉 SM4. 37×40-4	SCREW PAN SM4. 37×40-4
12	124051102	1	紧圈	SET SCREW COLLAR
13	115032001	1	螺钉 M3.5×12	SCREW PAN M3.5×12
14	115031901	1	抬压脚扳手	LIFTING LEVER
15	124051701	1	压杆提升曲柄	PRESSER BAR LIFTING CRANK
16	124051801	1	垫圈	WASHER PLAIN
17	124051901	1	段螺钉M5	SHOULDER SCREW M5
18	124052101	1	提升杠杆销	P-BAR LIFTING LEVER SHAFT
19	124052001	1	抬压脚连杆	PRESSER BAR LIFTING LEVER
20	124052201	1	膝控连杆	KNEE LIFTER CONNECTING ROD
21	115034301	5	段螺钉 SM4. 76×32	SHOULDER SCREW SM4. 76×32
22	150345011	2	段螺钉 SM6. 35×28	SHOULDER SCREW SM6. 35×28
23	169032101	2	膝控提升杠杆	KNEE LIFTER LEVER
24	124052601	1	膝控提升拉杆	KNEE LIFTER BAR
25	124052902	1	抬压曲柄连杆销	P-BAR LIFTER CRANK LEVER PIN
26	124052701	1	膝控提升短拉杆	KNEE LIFTER SHORT BAR
27	124052802	1	抬压曲柄连杆组件	P-BAR LIFTER CRANK LEVER ASSY
28	115072001	1	紧圈	SET SCREW COLLAR
29	014770532	2	螺钉 SM6. 35×40-5	SCREW PAN SM6. 35×40-5
30	124053401	1	松线板组件	TENSION RELEASE PLATE ASSY
31	169034001	1	轴承696	BALL BEARING
32	018601232	1	螺钉 M6×0.75-12	SCREW PAN M6×0.75-12
33	012600636	2	螺钉 M6×0.75-6	SCREW PAN M6×0.75-6

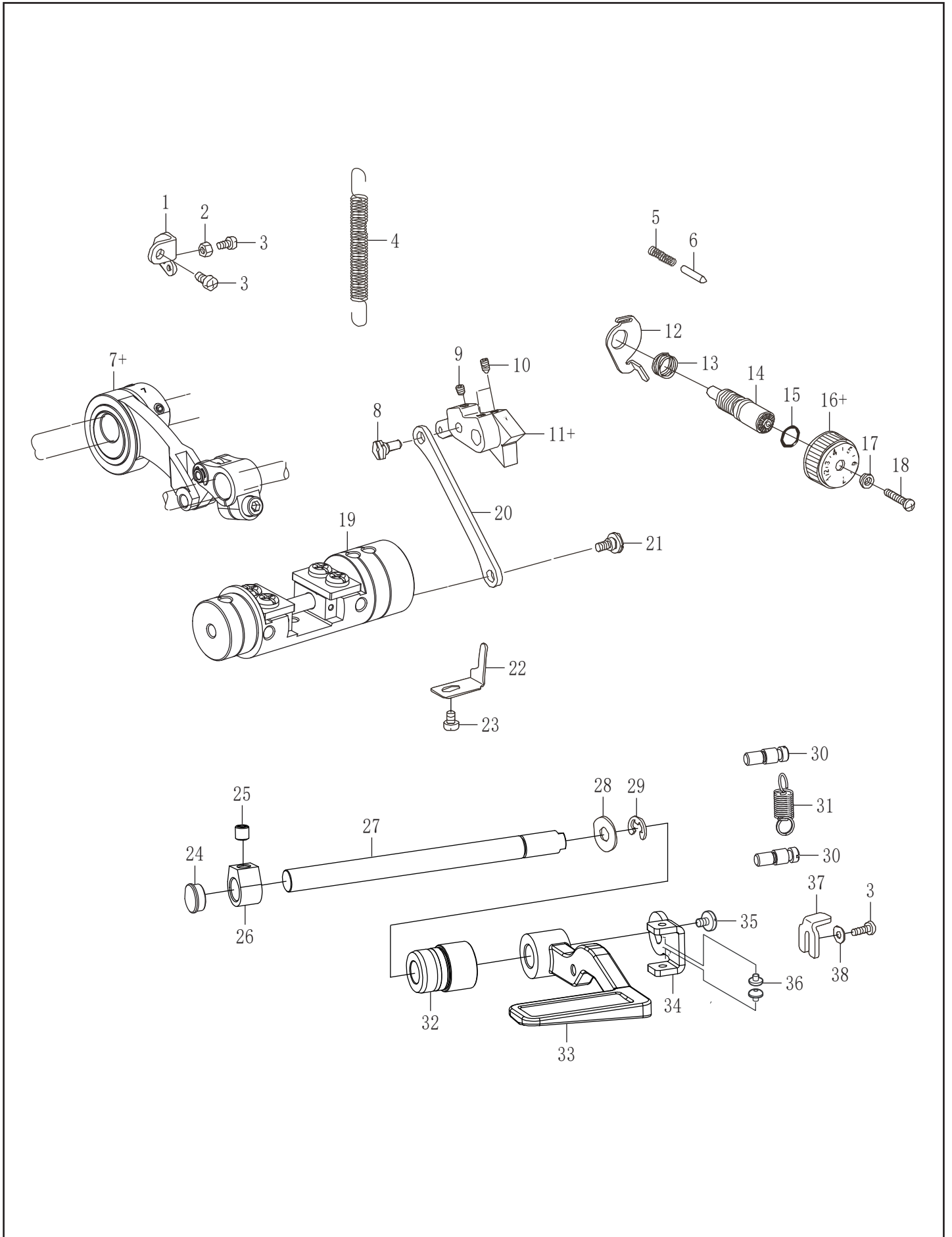
5. 压脚装置/Presser foot mechanism



5. 压脚装置/Presser foot mechanism

序号	图号	数量	名称	NAME OF PARTS
34	166201101	1	抬压脚凸轮	HAND LIFTER CAM
35	124200301	1	电机安装支架	SOLENOID SETTING PLATE
36	018501232	2	螺钉 M5×12	SCREW PAN M5×12
37	124200501	1	抬压脚电机	MOTOR
38	018401232	4	螺钉 M4×12	SCREW PAN M4×12

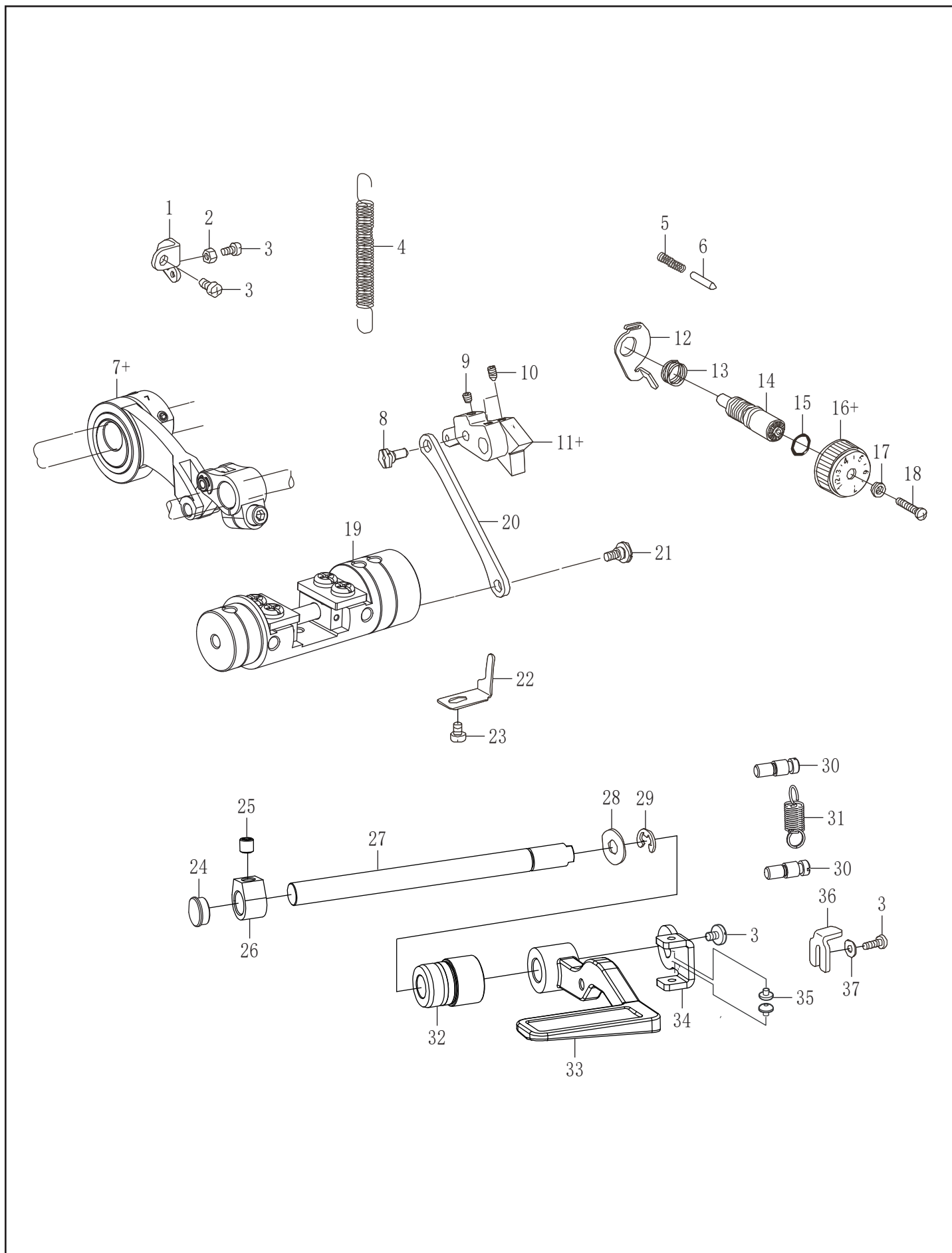
6. 送布装置/Feed mechanism



6. 送布装置/Feed mechanism

序号	图号	数量	名称	NAME OF PARTS
1	124062501	1	弹簧挂钩	SPRING HOOK
2	021500106	1	螺母 M5	NUT M5
3	062501016	4	螺钉 M5×10	SCREW PAN M5×10
4	124062601	1	调节器弹簧	SPRING
5	124062701	1	止动销弹簧	SPRING
6	124062801	1	止动销	POSITIONING PIN
7+	124061601	1	送布大组件 (大梭)	DISTRIBUTION MODULE
7+	124062901	1	送布大组件 (小梭)	DISTRIBUTION MODULE
8	124061201	1	偏心轴	ECCENTRIC SHAFT
9	012060632	1	螺钉 M6×6	SCREW PAN M6×6
10	016060832	2	螺钉 M6×8	SCREW PAN M6×8
11+	124063101	1	送料调节器 (-5)	FEED REGULATOR -5
11+	124063201	1	送料调节器 (-7)	FEED REGULATOR -7
12	124063301	1	标盘锁杆	DIAL LOCK LEVER
13	124063401	1	弹簧	SPRING
14	124063501	1	调节螺杆	FEED REGULATING STUD
15	124063601	1	O型圈	O RING
16+	124063801	1	针距标盘 (5)	STITCH LENGTH DIAL 5
16+	124063901	1	针距标盘 (7)	STITCH LENGTH DIAL 7
17	124064001	1	针距标盘套	FEED REGULATING SUPPORTER
18	124064101	1	螺钉SM4.76	SCREW PAN SM4.76
19+	124061101	1	切换器组件 (-3)	ECCENTRIC SHAFT
19+	124063001	1	切换器组件 (-5)	ECCENTRIC SHAFT
20	124061301	1	切换器连杆	CONNECTING ROD
21	124061401	1	轴位螺钉 M6	FEED REGULATOR
22	124062001	1	切换器定位	STOPPER
23	062500616	1	螺钉 M5×6	SCREW PAN M5×6
24	115011001	1	橡皮塞 10.5	RUBBER CAP 10.5
25	012600636	1	螺钉 M6×0.75-6	SCREW PAN M6×0.75-6
26	188170101	1	上刀轴挡圈	SET SCREW COLLAR
27	124200201	1	倒缝扳手轴	SHAFT R-LEVER
28	025100132	1	垫片	WASHER
29	048080342	1	卡簧E8	SPRING RING E8

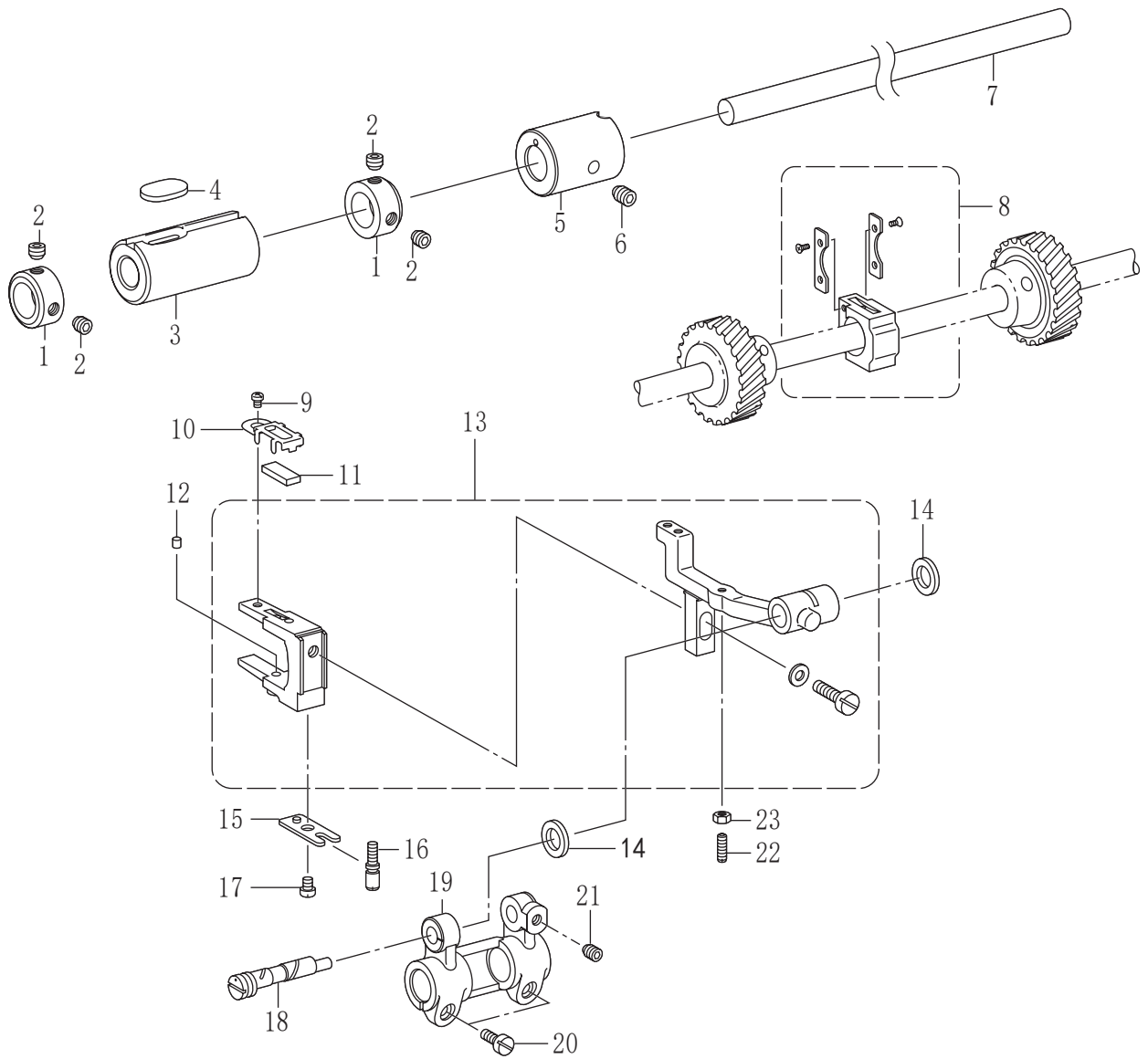
6. 送布装置/Feed mechanism



6. 送布装置/Feed mechanism

序号	图号	数量	名称	NAME OF PARTS
30	124093301	2	定位螺钉	STOPPER SCREW
31	124094303	1	弹簧	SPRING
32	124200101	1	倒缝扳手轴套	SHAFT SLEEVE FOR INVERTED
33	124200401	1	倒缝扳手	REVERSE STITCHING LEVER
34	124064901	1	手柄导向	LEVER GUIDE
35	124065001	2	导向橡皮	RUBBER
36	124064801	1	定位器	STOPPER
37	025050132	1	垫片	WASHER

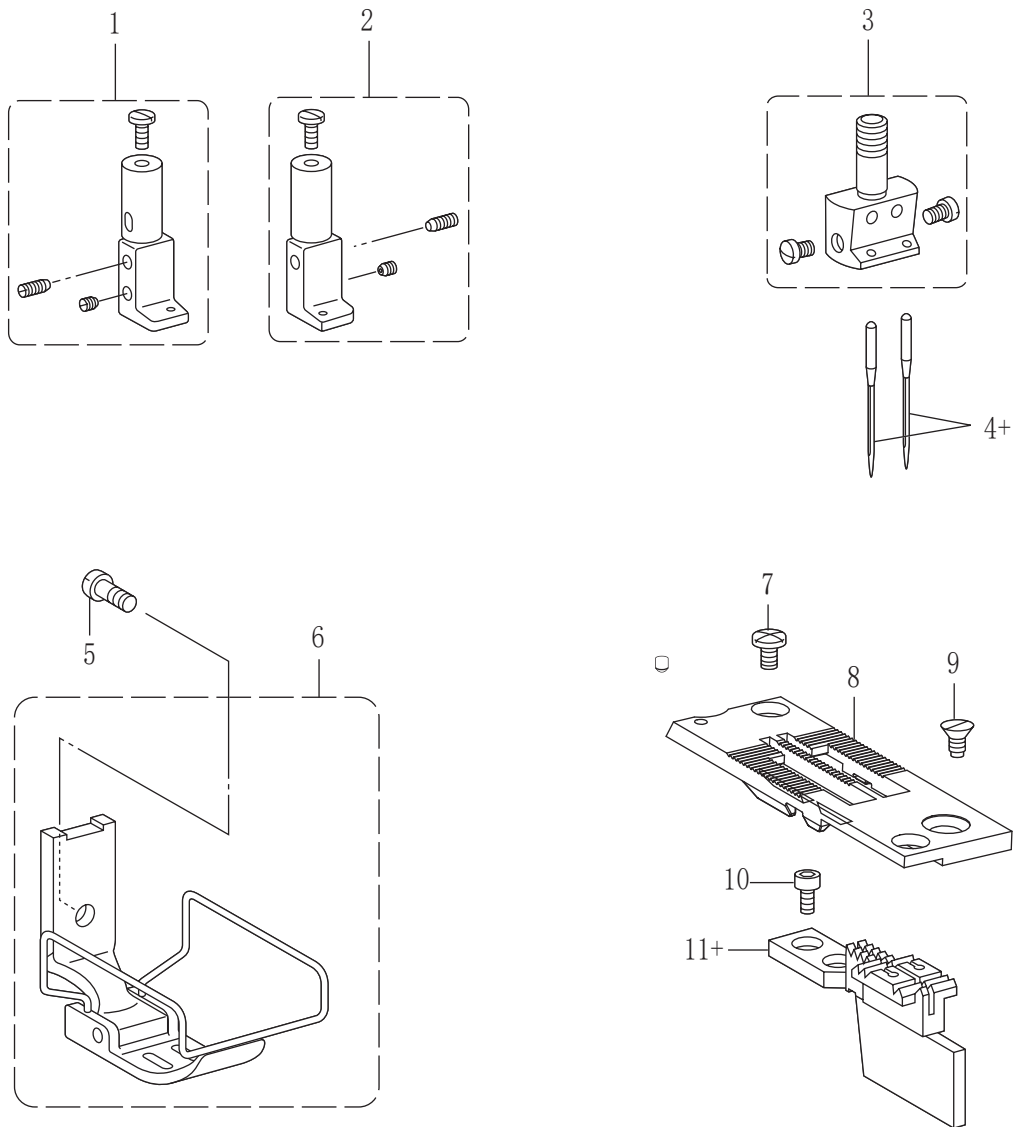
7. 送布轴装置/Feed shaft mechanism



7. 送布轴装置/Feed shaft mechanism

序号	图号	数量	名称	NAME OF PARTS
1	124070101	2	紧圈	SET SCREW COLLAR
2	012600636	4	螺钉M6×0.75-6	SCREW PAN M6×0.75-6
3	124070301	1	送布轴套L	BUSH L F-ROCKER SHAFT
4	124070401	1	油毡	FELT
5	124070501	1	送布轴套R	FEED ROCKER SHAFT BUSH R
6	012061032	1	螺钉M6×10	SCREW PAN M6×10
7	124070801	1	送布轴	FEED ROCKER SHAFT
8	124070901	1	滑块组件	FEED BAR SLIDE BLOCK ASSY
9	062300416	1	螺钉M3×4	SCREW PAN M3×4
10	124071201	1	油毡压架	FELT HOLDER
11	124071301	1	油毡	FELT
12	124071401	1	油毡	FELT
13	124071501	1	牙架叉组件	FEED BAR TR FORK ASSY
14	124071601	2	轴向垫圈	THRUST RING
15	124071901	1	开叉板	FORKED PLATE
16	124072001	1	调整螺栓	ADJUSTING SCREW
17	062400616	1	螺钉M4×6	SCREW PAN M4×6
18	124072201	1	牙架轴	FEED BAR SHAFT
19	124072301	1	水平送布台臂	FEED ROCKER BASE ARM
20	124072401	2	螺钉M5×12	SCREW PAN M5×12
21	012060636	1	螺钉M6×6	SCREW PAN M6×6
22	124072601	1	螺钉M3.5	SCREW PAN M3.5
23	021350106	1	螺母M3.5	NUT M3.5

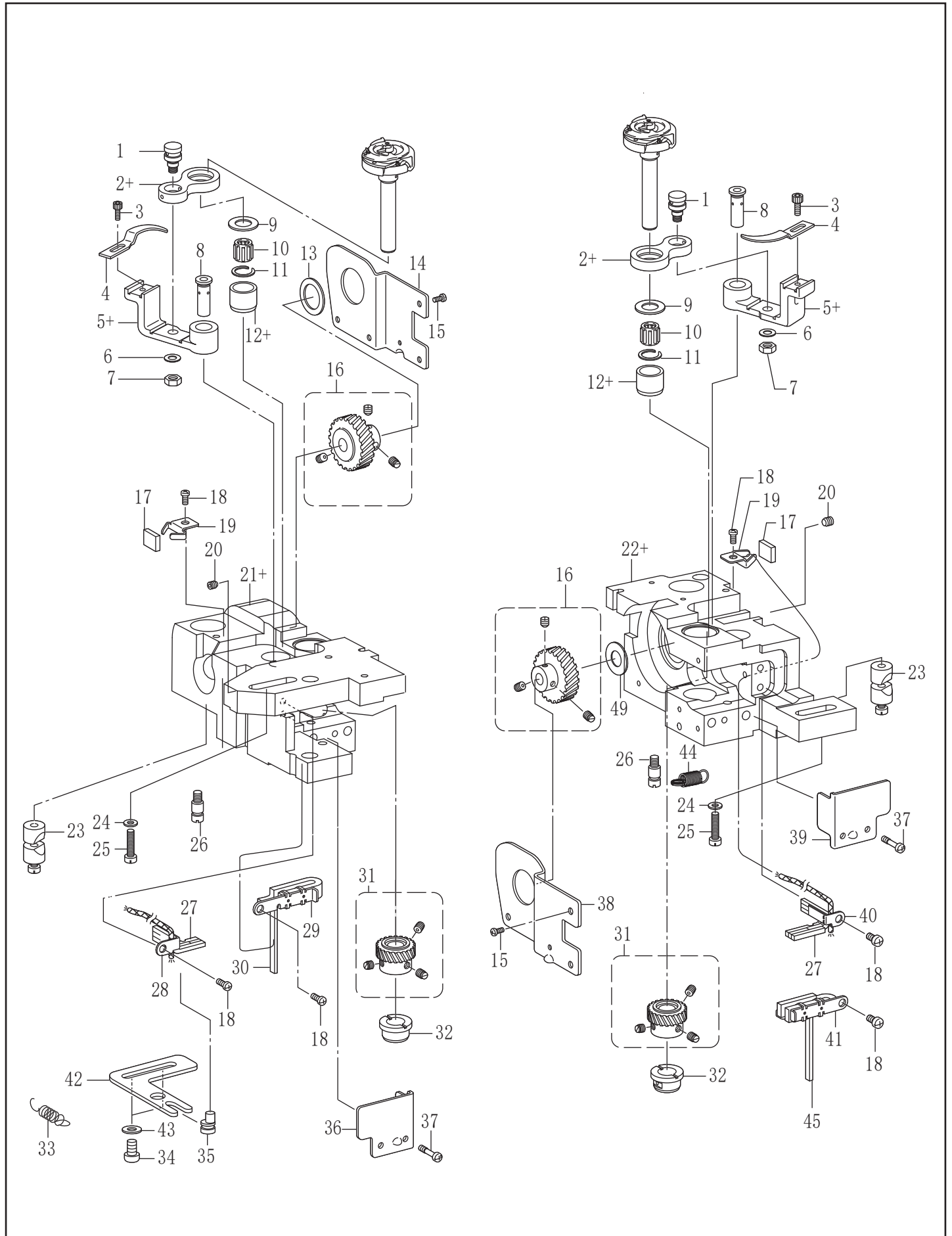
8. 定规部件/Gauge parts



8. 定规部件/Gauge parts

序号	图号	数量	名称	NAME OF PARTS
1	124081601	2	针夹L组件 1/4	NEEDLE CLAMP ASSY L 1/4
2	124081701	2	针夹R组件 1/4	NEEDLE CLAMP ASSY R 1/4
3	124081401	1	针夹组件 1/4	NEEDLE CLAMP ASSY 1/4
4+	115024106	2	机针DP×5 (#14小梭)	NEEDLE DPX5(#14)
4+	115024102	2	机针DP×5 (#20大梭)	NEEDLE DPX5(#20)
5	124080701	1	压脚螺钉SM3.57×40	SCREW SM3.57×40
6	125080801	1	压脚组件	PRESSER FOOT ASSY
7	124080901	1	螺钉SM4.37	SCREW SM4.37
8	125081001	1	针板	NEEDLE PLATE
9	124081101	1	螺钉SM4.37	SCREW SM4.37
10	124081201	2	送布牙螺钉SM3.18	SCREW SM3.18×44-7
11+	124081301	1	送布牙1/4 (小梭)	FEED DOG
11+	124081301-1	1	送布牙1/4 (大梭)	FEED DOG

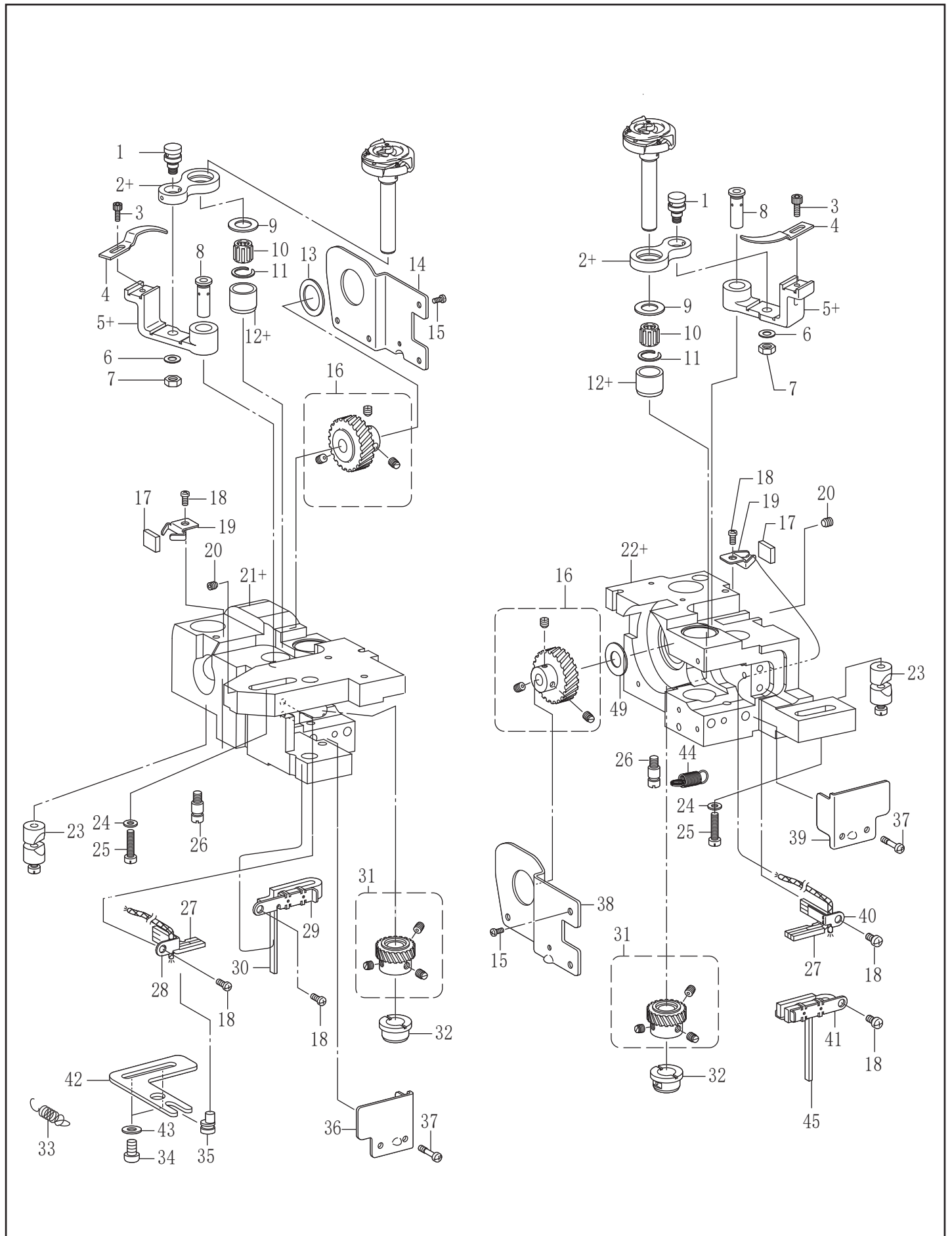
9. 旋梭部件/Rotary hook mechanism



9. 旋梭部件/Rotary hook mechanism

序号	图号	数量	名称	NAME OF PARTS
1	124090101	2	分线钩连杆轴	SHAFT O-LINK
2+	124090201	2	分线钩连杆(小梭)	OPENER LINK
2+	125090201	2	分线钩连杆(大梭)	OPENER LINK
3	124090301	2	螺钉SM3. 57×40-8	BOLT SOCKET SM3. 57×40-8
4	124090401	2	分线钩	OPENER
5+	124090501	2	分线钩杆(小梭)	OPENER LEVER
5+	125090501	2	分线钩杆(大梭)	OPENER LEVER
6	025050132	2	平垫圈	WASHER PLAN
7	021500106	2	螺母M5	NUT M5
8	124090801	2	分线钩杆短轴	O-LEVER SHAFT
9	124090901	2	轴向垫圈	THRUST RING
10	124091001	2	滚针轴承	NEEDLE BEARING
11	124091101	2	止动圈	RETAINING RING
12+	124091201	2	旋梭轴套U(小梭)	ROTARY HOOK SHAFT BUSH
12+	125091201	2	旋梭轴套U(大梭)	ROTARY HOOK SHAFT BUSH
13	124091301	1	垫圈L	THRUST WASHER L
14	124091401	1	旋梭基座盖L	ROTARY HOOK BASE COVER L
15	062300516	8	螺钉M3×6	SCREW PAN M3×6
16	124091602	2	螺旋齿轮	SPIRAL GEAR SCREW ASSY
17	124091801	2	油毡	FELT
18	062400616	6	螺钉M4×6	SCREW PAN M4×6
19	124091901	2	油毡架	FELT SUPPORT
20	012501032	2	螺钉M5×10	SET SCREW M5×10
21+	124095701-1	1	左旋梭支架(小梭)	LEFT-HANDED SHUTTLE BRACKET
21+	125095701-1	1	左旋梭支架(大梭)	LEFT-HANDED SHUTTLE BRACKET
22+	124095801-1	1	右旋梭支架(小梭)	RIGHT-HANDED SHUTTLE SUPPORT
22+	125095801-1	1	右旋梭支架(大梭)	RIGHT-HANDED SHUTTLE SUPPORT
23	124092701	2	套管组件	PINCH SLEEVE ASSY
24	124154501	2	垫圈 6	WASHER 6
25	018062532	2	螺钉M6×25	SCREW M6×25
26	124093301	3	定位螺钉	STOPPER SCREW
27	124093701	2	油毡	FELT
28	124093601	1	油毡支架DL	FELT DL

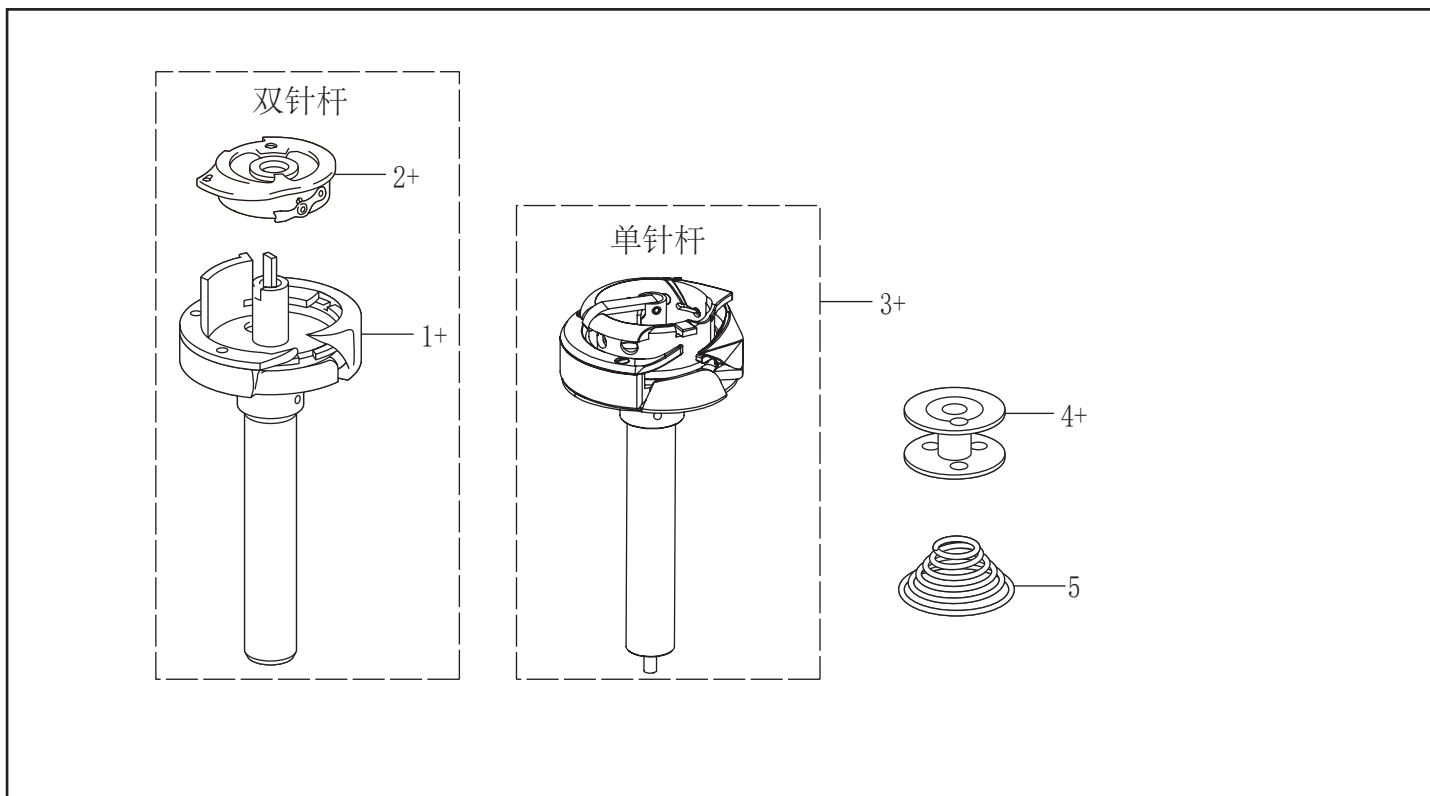
9. 旋梭部件/Rotary hook mechanism



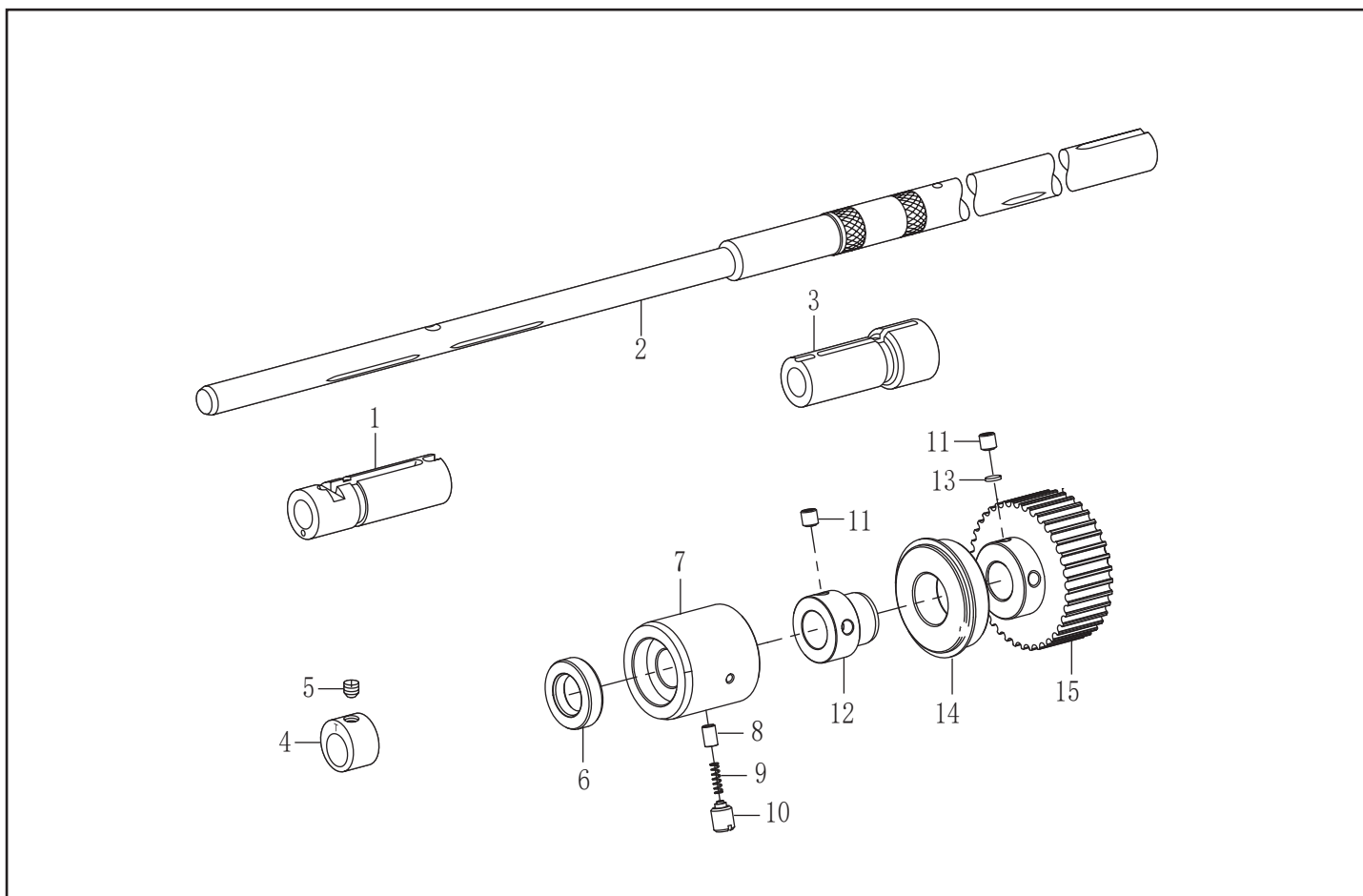
9. 旋梭部件/Rotary hook mechanism

序号	图号	数量	名称	NAME OF PARTS
29	124093801	1	油毡支架UL	FELT UL
30	124095901	1	油毡	FELT
31	124094002	2	齿轮带螺钉	PINION GEAR SCREW ASSY
32	124094101	2	旋梭轴套D	ROTARY HOOK SHAFT BUSH
33	124094303	1	弹簧	SPRING EXTENSION
34	062061016	2	螺钉M6×10	SCREW M6×10
35	124094601	1	调节轴	N-UPPER POSITIONING SHAFT
36	124094701	1	旋梭基座盖FL	ROTARY HOOK BASE COVER FL
37	062401216	4	螺钉M4×12	SCREW M4×12
38	124095002	1	旋梭基座盖R	ROTARY HOOK BASE COVER R
39	124095201	1	旋梭基座盖FR	ROTARY HOOK BASE COVER FR
40	124095301	1	油毡支架DR	FELT DR
41	124095401	1	油毡支架UR	FELT UR
42	124094201	1	调节板	NEEDLE UPPER POSITIONING PLATE
43	124093101	2	垫圈 M6	WASHER M6
44	124094303	1	弹簧	SPRING
45	124096101	1	支架UL油毡	FELT UL

10. 旋梭装置/Rotary hook mechanism



11. 下轴装置/Lower shaft mechanism



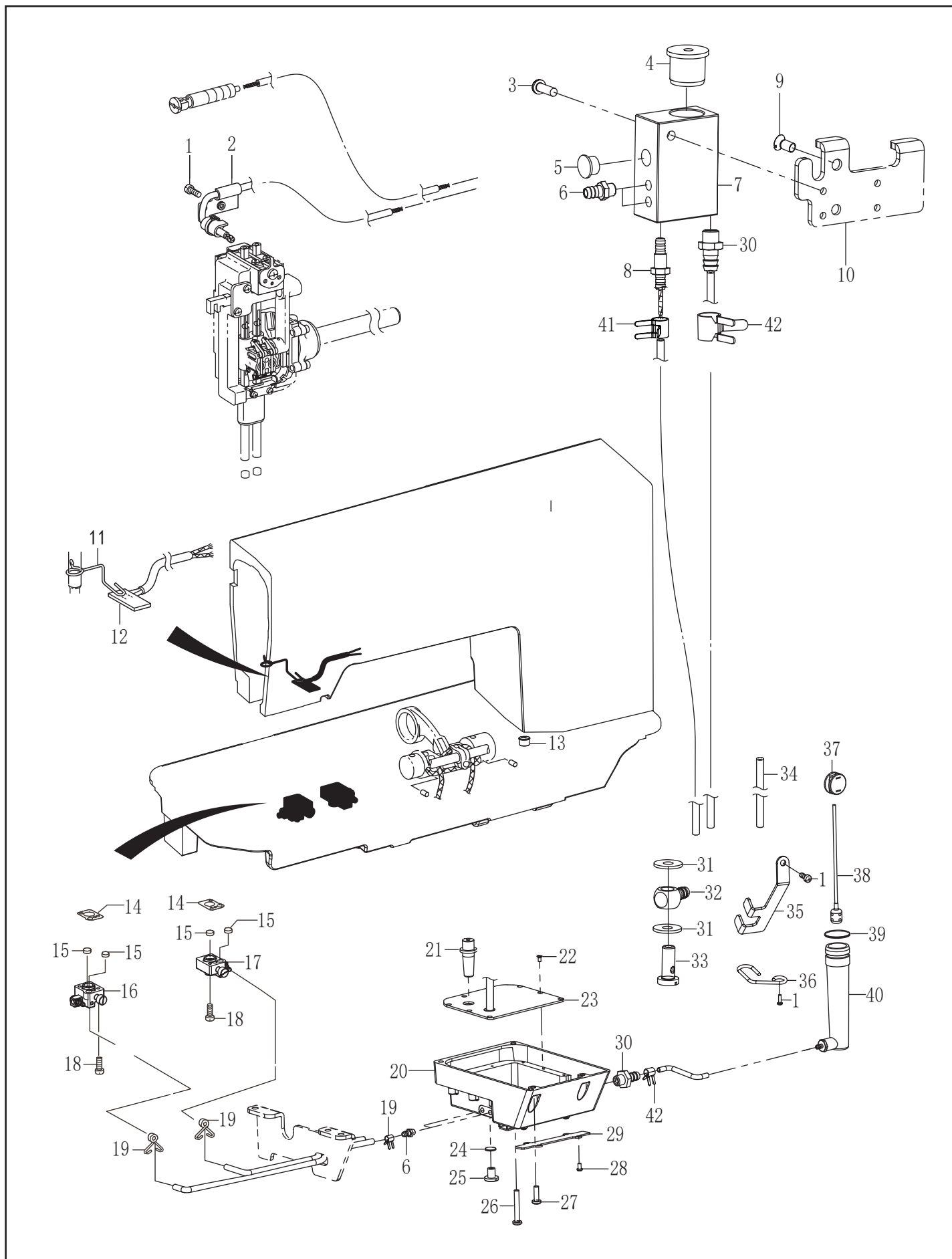
10. 旋梭装置/Rotary hook mechanism

序号	图号	数量	名称	NAME OF PARTS
1+	124100105	2	旋梭组件(小梭)	ROTARY HOOK BOX ASSY
1+	125100104	2	旋梭组件(大梭)	ROTARY HOOK BOX ASSY
2+	124100205	2	梭芯套组件(小梭)	GAP ASSY
2+	125100204	2	梭芯套组件(大梭)	GAP ASSY
3+	124100106	2	旋梭组件(小梭)	ROTARY HOOK BOX ASSY
3+	125100105	2	旋梭组件(大梭)	ROTARY HOOK BOX ASSY
4+	124095501	2	梭芯(小梭)	BOBBIN
4+	125095501	2	梭芯(大梭)	BOBBIN
5	124095601	2	弹簧	SPRING

11. 下轴装置/Lower shaft mechanism

序号	图号	数量	名称	NAME OF PARTS
1	124110101	1	旋梭基座轴套L	ROTARY HOOK BASE BUSH L
2	124110201	1	下轴	LOWER SHAFT
3	124110402	1	旋梭基座轴套R	ROTARY HOOK BASE BUSH R
4	124110501	1	抬牙凸轮	TOOTH LIFTING CAM
5	124110601	1	螺钉M6×0.75	SCREW PAN M6×0.75
6	115024001	1	油封	OIL SEAL
7	124110801	1	下轴中套	LOWER SHAFT SLEEVE
8	115083001	1	柱塞	RUBBER PRESSER
9	115083601	1	柱塞弹簧	RUBBER PRESSER SPRING
10	115083201	1	泵盖螺钉	SCREW
11	128131401	1	轴承套	BALL BEARING BUSH
12	012600636	6	螺钉M6×0.75-6	SCREW PAN M6×0.75-6
13	124111701	2	垫片4.8	WASHER 4.8
14	115024501	1	轴承6004ZZNR	BALL BEARING 6004ZZNR
15	124111501	1	同步轮D	TIMING PULLEY D

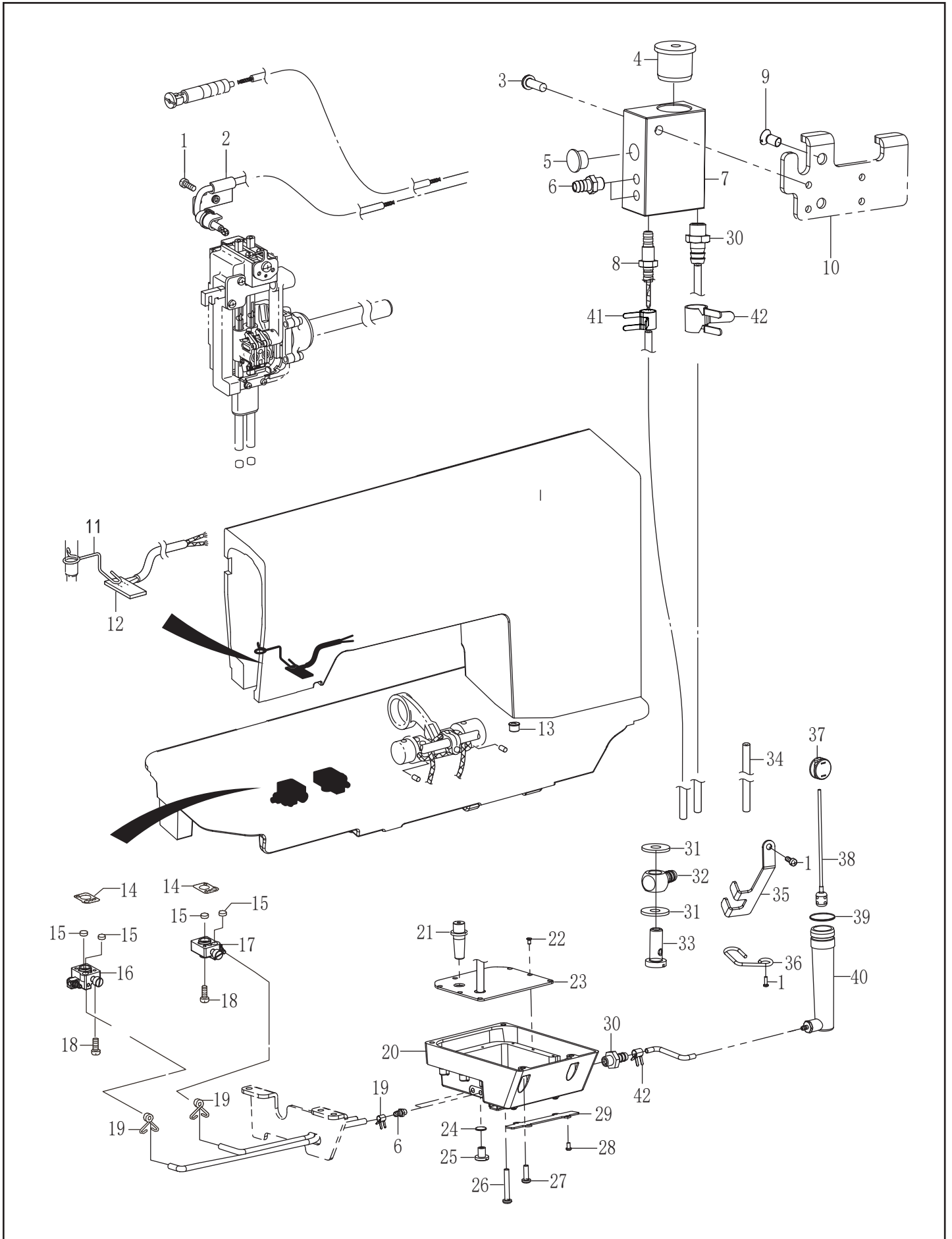
12. 供油润滑装置/Lubrication



12. 供油润滑装置/Lubrication

序号	图号	数量	名称	NAME OF PARTS
1	062501016	3	螺钉M5×10	SCREW PAN M5×10
2	124120301	1	油管支架	OIL SUPPORT
3	062401016	1	螺钉M4×10	SCREW PAN M4×10
4	101012702	1	电线过线圈	RUBBER CAP
5	115012401	1	橡皮塞8	RUBBER CAP 8
6	124123601	4	油嘴	NOZZLE
7	124125502	1	机头储油盒	ENGINE OIL BOX
8	168062601	1	油嘴	NOZZLE
9	124131401	2	螺钉M5×8	SCREW PAN M5×8
10	124170501	1	油盒安装板	OIL TANK MOUNTING PLATE
11	124120601	1	油毡压架	FELT SUPPORT
12	124120701	1	油毡	FELT
13	124121701	1	加油橡皮塞	RUBBER CAP
14	124125001	2	旋梭基座D垫片	ROTARY HOOK BASE D PACKING
15	124124701	4	油毡	FELT
16	124123701	1	左集油器组件	OIL COLLECTOR ASSY L
17	124123801	1	右集油器组件	OIL COLLECTOR ASSY R
18	018401632	4	螺钉M4×16	SCREW PAN M4×16
19	124127901	2	油管夹 φ7	OIL PIPE CLAMP
20	124122901	1	油盒	OIL BOX
21	124122501	1	长橡胶柱	RUBBER CAP
22	064300632	8	螺钉M3×6	SCREW PAN M3×6
23	124122701	1	油盒盖	OIL BOX COVER
24	168063001	1	O型圈	O RING
25	115080901	1	螺钉M8	SCREW PAN M8
26	101011701	2	螺钉M5×35	SCREW PAN M5×35
27	018502032	2	螺钉M5×20	SCREW PAN M5×20
28	062350612	4	螺钉M3.5×6	SCREW PAN M3.5×6
29	124123201	1	电线压板	WIRE PLATE
30	124123901	2	油嘴	NOZZLE
31	124125401	2	供油嘴垫片	NOZZLE GASKET
32	124125301	1	供油嘴	NOZZLE
33	124125201	1	供油螺钉	SUPPLY SCREW

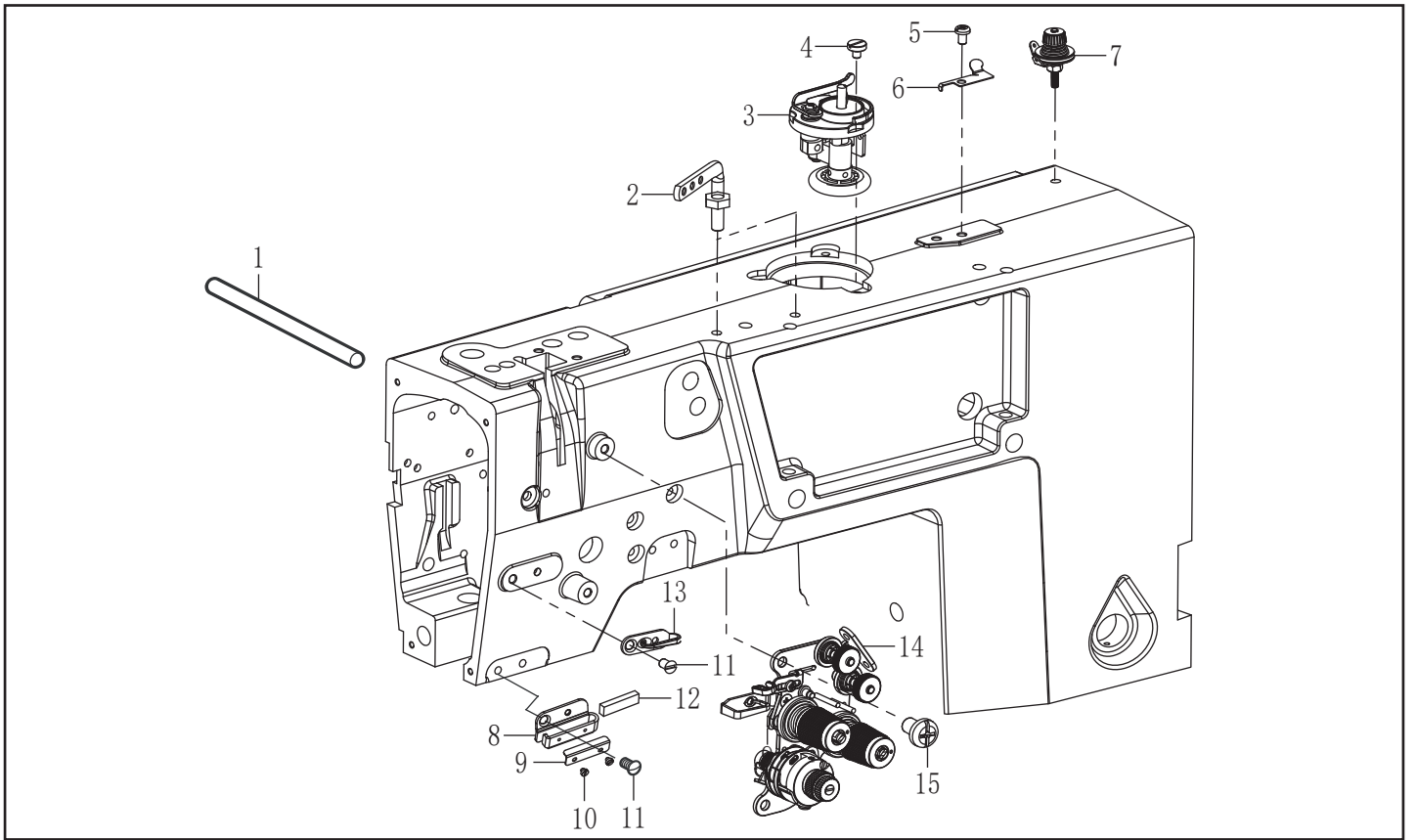
12. 供油润滑装置/Lubrication



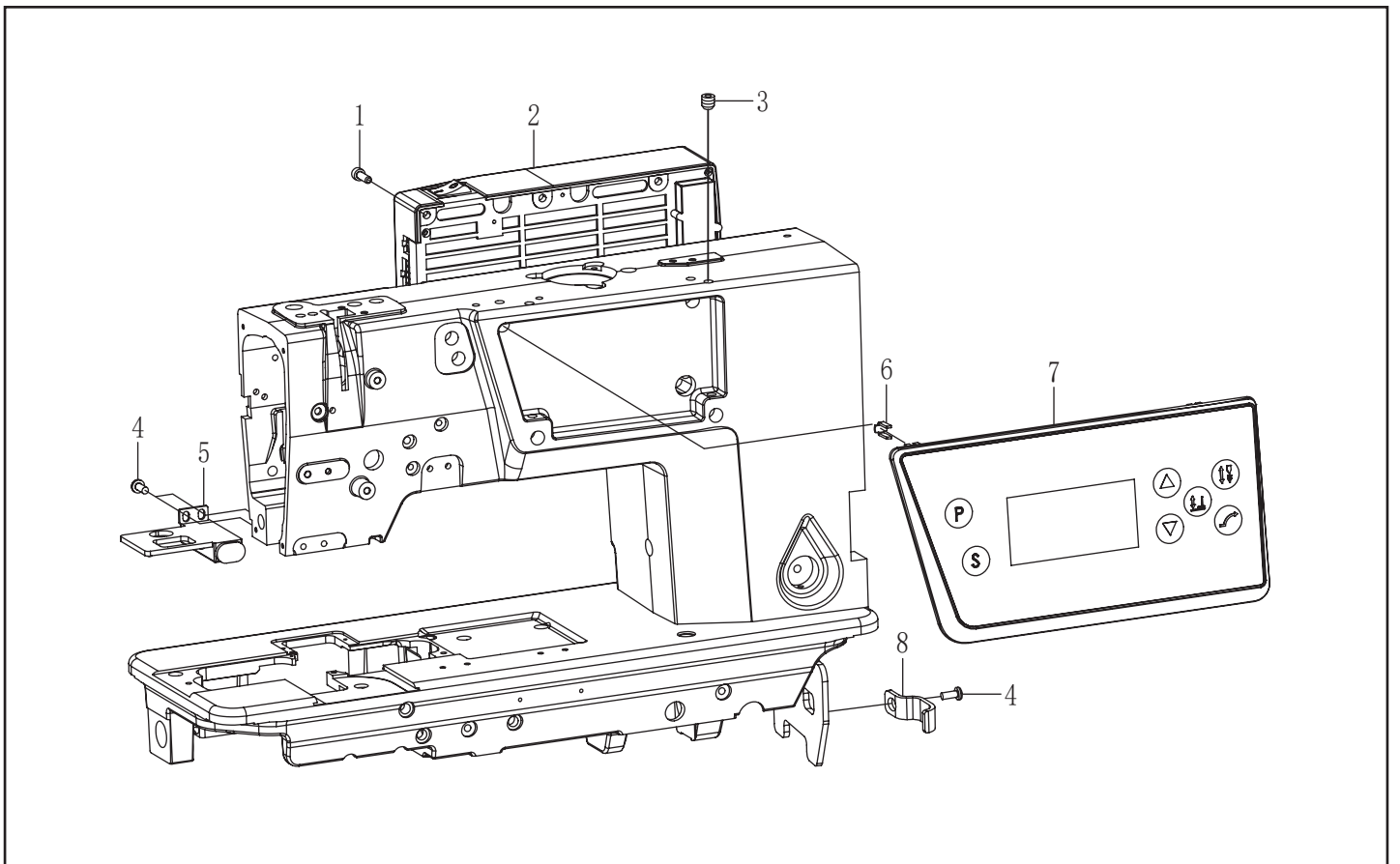
12. 供油润滑装置/Lubrication

序号	图号	数量	名称	NAME OF PARTS
34	124120101	1	弹簧套	SPRING HOUSING
35	124128001	1	油管导向	TUBING GUIDE
36	124128201	1	油管支持架	TUBING SUPPORT FRAME
37	124120901	1	油窗视窗	OIL WINDOW GUSHION
38	124121001	1	浮球组件	FLOAT ASSY
39	081022870	1	O型圈S22	O RING S22
40	124121201	1	副油罐	SUB TANK
41	115085501	1	油管夹 $\phi 7$	OIL PIPE CLAMP
42	124125901	2	油管夹 $\phi 9$	OIL PIPE CLAMP

13. 穿线装置/Threading mechanism



14. 控制箱/Control box



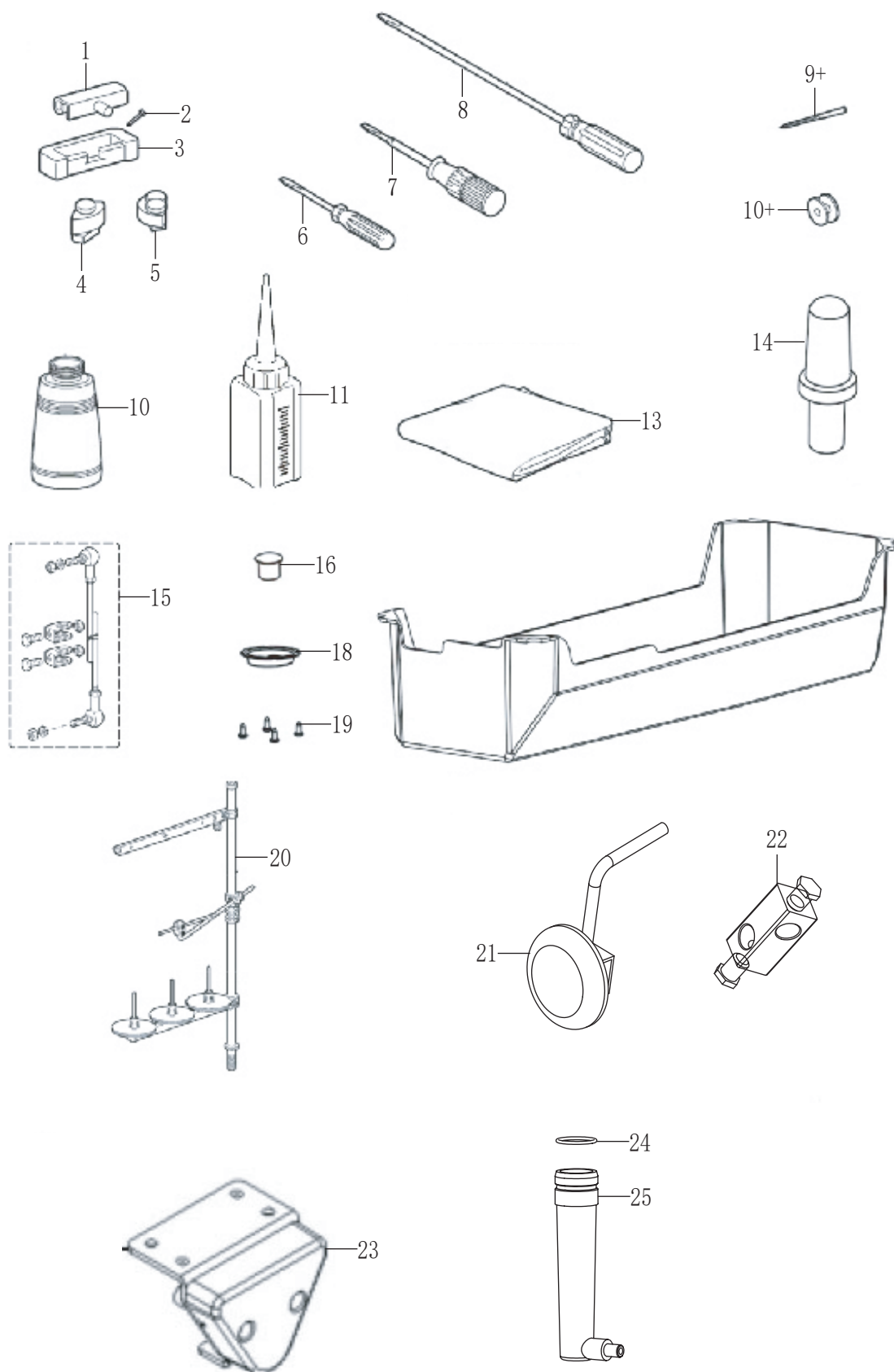
13. 穿线装置/Threading mechanism

序号	图号	数量	名称	NAME OF PARTS
1	124130303	1	松线轴	TENSION RELEASE CRANK
2	124132301	2	三眼线勾	THREAD RETAINER
3	115100101	1	绕线器组件	BOBBIN WINDER UNIT
4	115100501	3	固定螺钉M5	SCREW PAN M5
5	062500616	1	螺钉M5×6	SCREW PAN M5×6
6	115100301	1	切刀	KNIFE
7	124140501	1	绕线器夹线组件	BOBBIN WINDER TENSION ASSY
8	124131501	1	线导向D	THREAD GUIDE D ARM
9	124132601	1	下过线油毡压板	WIRE PLATE
10	124132701	2	螺钉SM2.38×56	SCREW PAN SM2.38×56
11	124131401	2	螺钉M5×8	SCREW PAN M5×8
12	124131601	1	线导向D油毡	FELT
13	124131301	1	线导向M	THREAD GUIDE M ARM
14	124132001	1	面线调节组件	UPPER THREAD TENSION ASSY
15	062501016	3	螺钉M5×10	SCREW PAN M5×10

14. 控制箱/Control box

序号	图号	数量	名称	NAME OF PARTS
1	018502032	3	螺钉M5×20	SCREW PAN M5×20
2	124200701	1	控制箱组件	ELECTRONIC CONTROL BOX ASSY
3	012600636	4	螺钉M6×0.75-6	SCREW PAN M6×0.75-6
4	062500616	2	螺钉M5×6	SCREW PAN M5×6
5	124171502	1	倒缝开关组件	BUTTON COMPONENT
6	115130801	4	操作面板支座	OPERATING PANEL SIPPORIT
7	124200601	1	操作盒组件	OPERATING BOX SHELL
8	115140301	1	电线夹 U2	TUBING CLAMP U2

15. 附件/Accessories



15. 附件/Accessories

序号	图号	数量	名称	NAME OF PARTS
1	115150401	2	机头铰链	HEAD HINGE
2	115151701	4	钉	NAIL
3	115150501	2	机头铰链套	RUBBER CUSHION
4	115150601	2	头部防震垫	HEAD CUSHION
5	115150801	2	头部防震垫	HEAD CUSHION
6	115151601	1	螺丝刀(小)	SCREW-DRIVER(S)
7	115151701	1	螺丝刀(中)	SCREW-DRIVER(M)
8	115151801	1	螺丝刀(大)	SCREW-DRIVER(L)
9+	115024106	4枚	DP×5 #14 (小梭)	NEEDLE DP×5 #14
9+	115024102	4枚	DP×5 #20 (大梭)	NEEDLE DP×5 #20
10+	124095501	4	梭芯 (小梭)	BOBBIN
10+	125095501	4	梭芯 (大梭)	BOBBIN
11	124181101	1	油壶	OILER
12	115151001	1	加油壶组件	OILER ASSY
13	6040101	1	机头罩	HEAD COVER
14	169140901	1	机头撑杆	HEAD REST
15	115151901	1	连杆组件	CONNECTING ROD ASSY
16	124170401	1	橡皮塞7	RUBBER CAP 7
17	124181801	1	油盘	OIL PAN
18	124181901	1	放油口	OIL FEEDING PIPE
19	168110302	4	螺钉ST3-6	SCREW STST3-6
20	124182801	1	线架组件 3DR	COTTON STAND ASSY 3DR
21	125104001	1	膝控组件	KNEE LIFTER ASSY
22	125104101	1	膝控接头	KNEE JOINT
23	169050101	1	电子膝靠组件	ELECTRONIC
24	081022870	1	O型圈S22	O RING S22
25	124121201	1	副油罐	SUB TANK