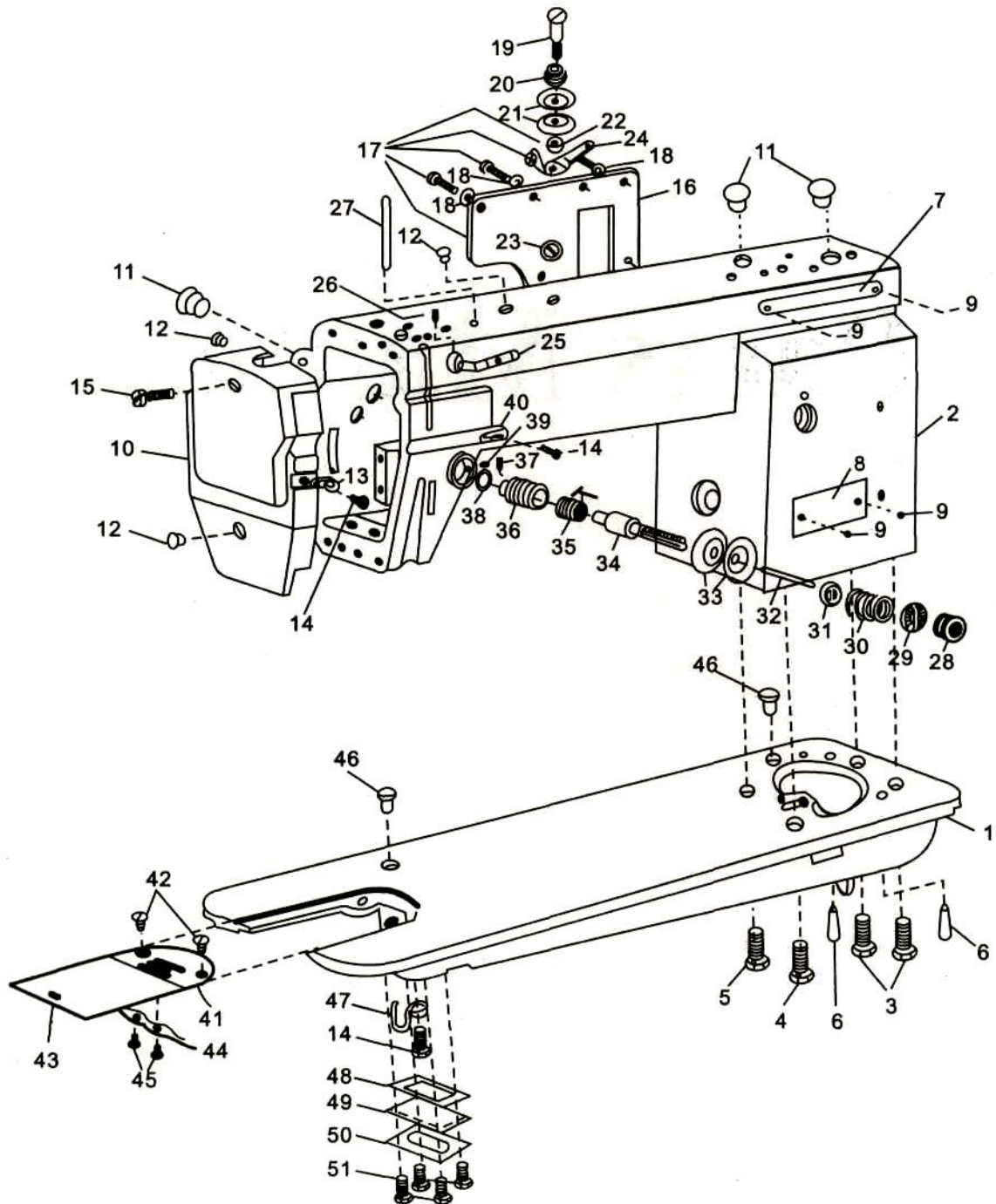


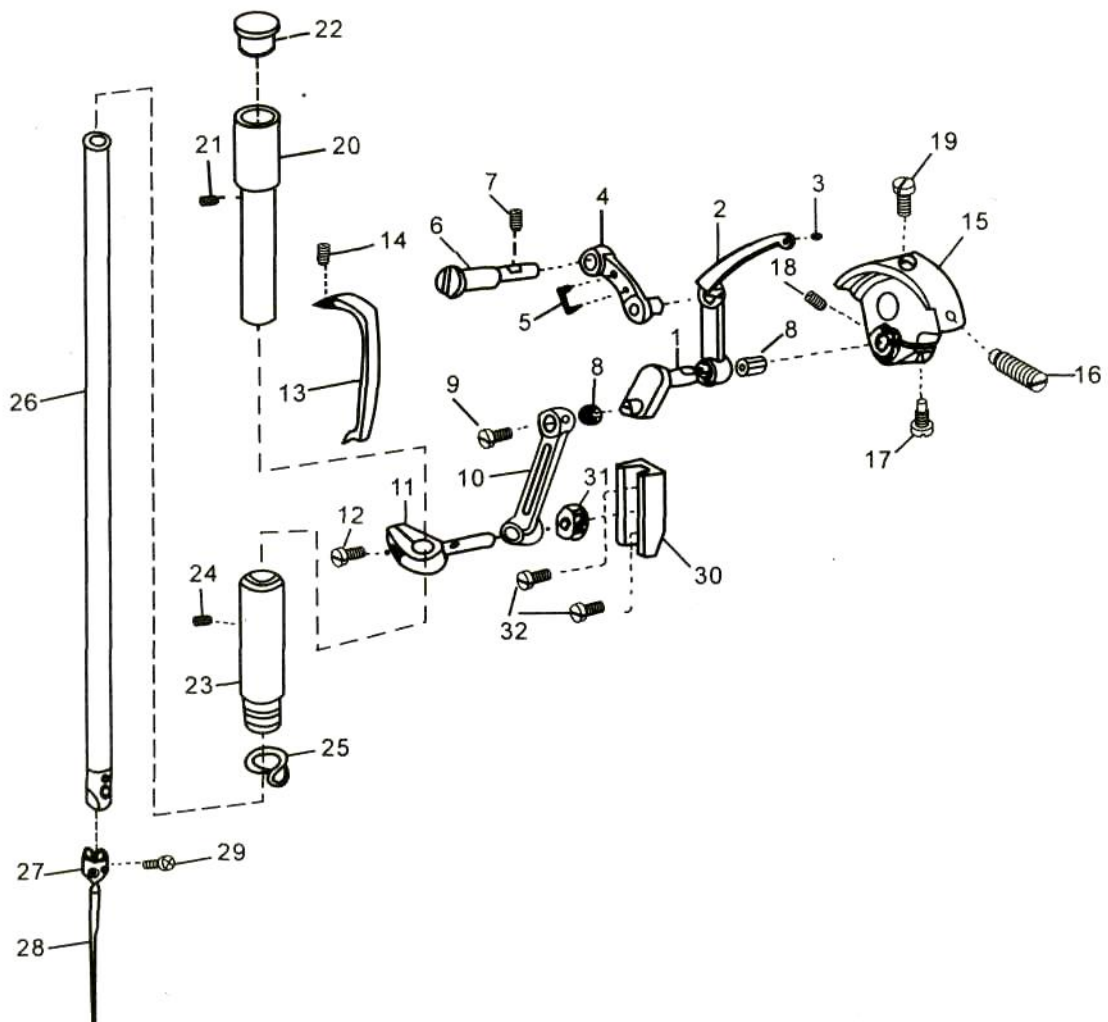
# 1. Arm and bed



## 1. Arm and bed

No.	Part number	Name	Qt.	Remark
1	34T4 - 401 - A	Machine bed	1	
2	34T4 - 402 - A	Machine arm	1	
3		Screw	2	M10x28 GB5782-86
4			1	M12x38 GB5782-86
5	33T4-011	Screw	1	M12x38 GB5782-86
6		Pin	2	M6x30 GB117-66
7	34T4 - 404	Name plate	1	GC6-6-1 34T4-404-1
8	34T4 - 406	Trade mark	1	GC6-6-1 34T4-406-1
9	34T4 - 403a	Nail	4	Φ2.5x5 GB827-86
10		Face plate	1	
11	22T1 - 003C3	Rubber plug (Ø19)	1	
		Rubber plug (Ø19)	2	
12	22T1 - 004C4	Rubber plug	1	Φ11.8
		Rubber plug	1	Φ11.8
		Rubber plug	1	Φ11.8
13	22T1 - 003C5	Thread finger	1	
14	22T1 - 003C6	Screw	1	SM9/64"x40x6
		Screw		
15	22T1 - 004	Screw	3	SM11/64"x40x10
16	33T4 - 405	Rear cover	1	
17	22T1 - 006	Screw	6	SM11/64"x40x9
18	22T1 - 007	Washer	6	
19	22T1 - 009E1	Screw	1	
20	22T1 - 009E2	Spring	1	
21	22T1 - 009E3	Thread tension disc	2	
22	22T1 - 009E4	Shim	1	
23		Split retainer	1	3 GB896
24	22T1 -009E5	Thread guide plate	1	
25	22T1-010	Three-eye thread finger	1	
26	22T1 -011	Screw	1	SM11/64"x40x5.5
27	33T1 -004	Oil pipe	1	
28	22T1 -012F2	Nut	1	
29	22T1 -012F10	Stop plate	1	
30	33T4-008C1	Spring	1	
31	22T1 -012F4	Thread tension releasing plate	1	
32	22T1 -012F9	Pin	1	
33	22T1 -012F5	Thread tension plate	2	
34	22T1 -012F1	Screw	1	
35	22T1 -012F6	Thread take-up spring	1	
36	22T1 -012F7	Thread tension adjusting bracket	1	
37	22T1 -012F8	Screw	1	SM9/64"x40x4
38	22T1 -012F11	O-type ring	1	
39	22T1 -013	Set screw	1	SM15/64"x28x8
40	22T1 -014	Thread finger	1	
41	34T4-012-A	Needle plate	1	
42	22T1 -020	Spring	2	SM11/64"x40x4.5
43	20T1 -013F1	Slide plate	1	
44	20T1 -013F2	Spring	1	
45	20T1 -013F3	Screw	2	
46	1WF1 -032	Oil plug	2	
47	33T1 -030-A	Position finger	1	
48	33T1 -032-A	Seal ring	1	
49	33T1-033-A	Cover	1	
50	33T1 -034-A	Presser plate	1	
51	22T7-015	Screw	4	SM9/64"x40x11

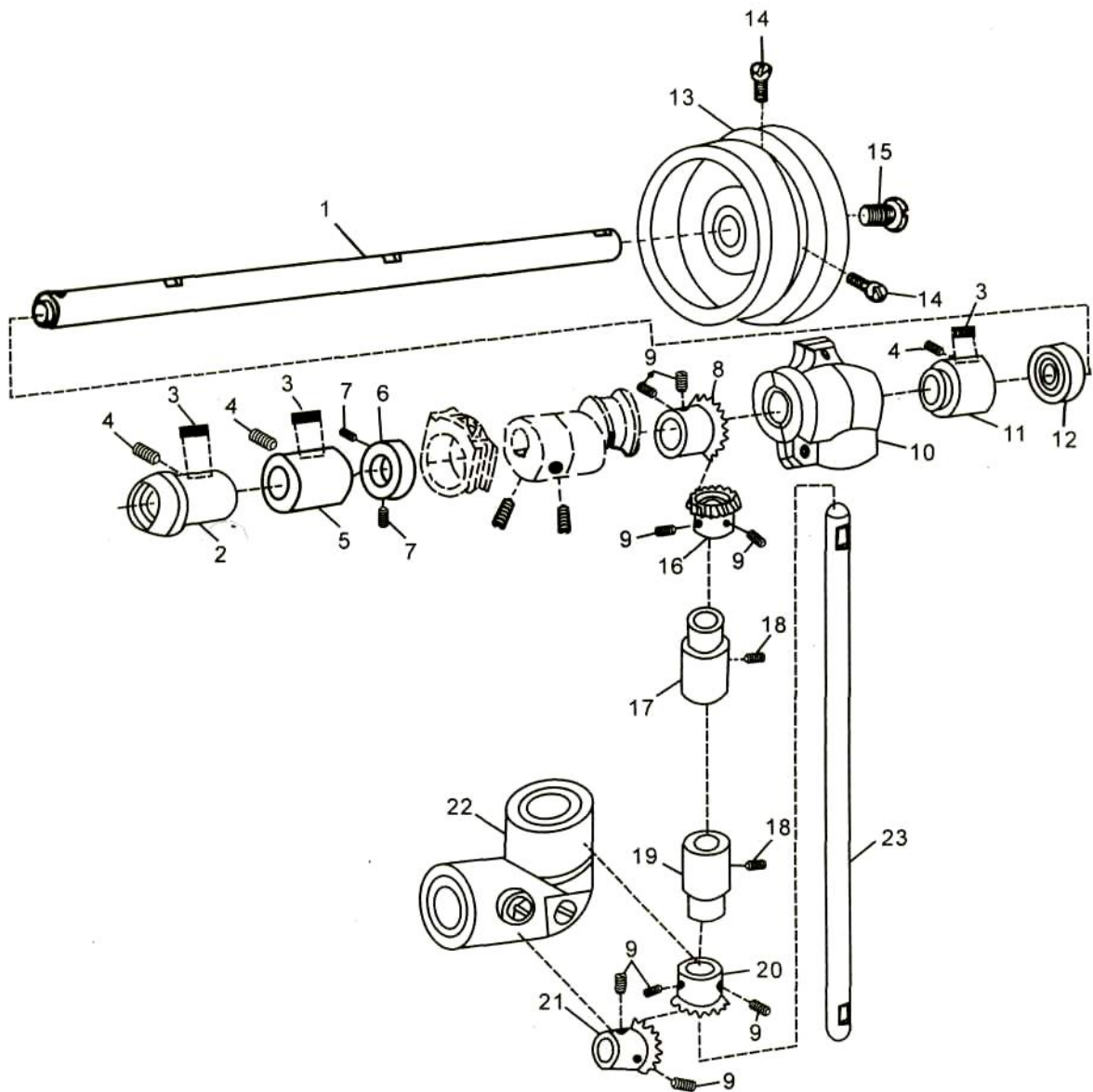
## 2. Needle bar and thread take-up



## 2. Needle bar and thread take-up

No.	Part number	Name	Qt.	Remark
1	33T1 -001	Thread take-up crank	1	
2	33T1 - 004B1	Thread take-up lever	1	
3	33T1 - 004B2	Thread take-up leer eyelet bushing	1	
4	33T1 - 003A1	Thread take-up lever link	1	
5	33T1 - 003A2	Oil wick	1	Φ2 30
6	33T1 - 002	Hinge pin	1	
7	J0 • 0 • 40	Screw	1	SM15/64"x28x10
8	19242/8	Needle bearing	2	8x12x8
9	22T2-001A6	Screw	1	
10	33T1 -014	Needle bar connecting link	1	
11	130032	Needle bar connecting stud		
12	22T2-001A9	Screw	1	SM9/64"x40x6
13	33T4 - 007	Thread take-up lever guard	1	
14	22T2 - 004	Screw	1	SM11/64"x40x5.5
15	33T1 - 006C1	Needle bar crank	1	
16	33T1 - 006C2	Screw	1	
17	33T1 - 006C3	Screw	1	
18	22T2 - 005B3	Position screw	1	SM1/4"x40x7
19	61 -04-01/B206	Position screw	1	
20	22T2 - 008	Needle bar bushing(upper)	1	
21	J0 • 0 • 35	Screw	1	SM15/64"x28x4.5
22	22T2-011	Rubber plug	1	
23	33T1 -01611	Needle bar bushing(lower)	1	
24	22T2-013	Screw	1	SM15/64" x40x 2.7
25	33T1 -01612	Thread guide	1	
26	33T1 -017	Needle bar	1	
27	22T2-015	Thread guide	1	
28	1F-009	Needle	1	DPx17 21 <sup>#</sup>
29	22T1 -017	Needle set screw	1	SM11/8"x44x4.5
30	33T1-012	Slide guide rail	1	
31	33T1 -013	Slide block	1	
32	22T2-019	Screw	2	SM11/64"x40x8

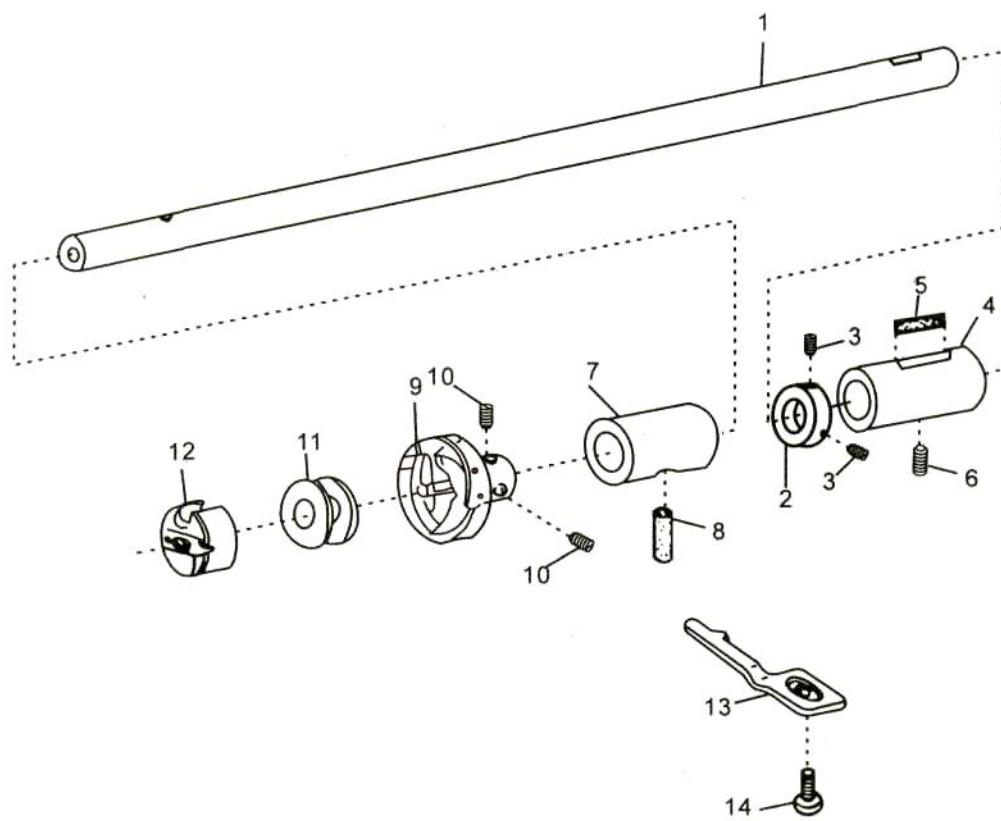
### 3. Upper shaft and vertical shaft



### 3. Upper shaft and vertical shaft

No.	Part number	Name	Qt.	Remark
1	33T1 -008	Upper shaft	1	
2	33T1 - 007D1	Bushing (front)	1	
3	33T1 - 007D2	Oil felt	3	
4	J0 • 0 • 40	Set screw	3	SM15/64"x 28x10
5	33T1 - 009E1	Bushing(middle)	11	
6	22T3 - 002B1	Collar	1	
7	22T3 - 002B2	Set screw	2	SM1/4"x40x4
8	22T3-010Ea1 -2	Bevel gear	1	
9	22T2 - 005B3	Screw	8	SM1/4"x40x7
10	33T1 -010F	Bevel gear case (upper)complete	1	
11	33T1 -011G1	Bushing(rear)	1	
12	22T3 - 006F	Oil seal assembly	1	
13	33T1 - 024	Balance wheel	1	
14	22T2 - 007C2	Screw	2	SM15/64"x 28x15
15	22T3 - 008	Screw	1	SM5/16"x 24x12
16	22T3-01E2a2-2	Vertical shaft bevel gear(upper)	1	
17	33T1 - 025Q1	Vertical shaft bushing (upper)	1	
18	J0 • 0 • 40	Screw	2	SM15/64"x 28x10
19	33T1 - 023P1	Vertical shaft bushing(lower)	1	
20	22T3-010E2b2-2	Vertical shaft bevel gear(lower)	1	
21	22T3-010E2b1 -2	Rotating hook shaft bevel gear	1	
22	33T1 - 022N	Bevel gear case(lower)assembly	1	
23	33T1 - 026	Vertical shaft	1	

#### 4. Rotating hook and is shaft

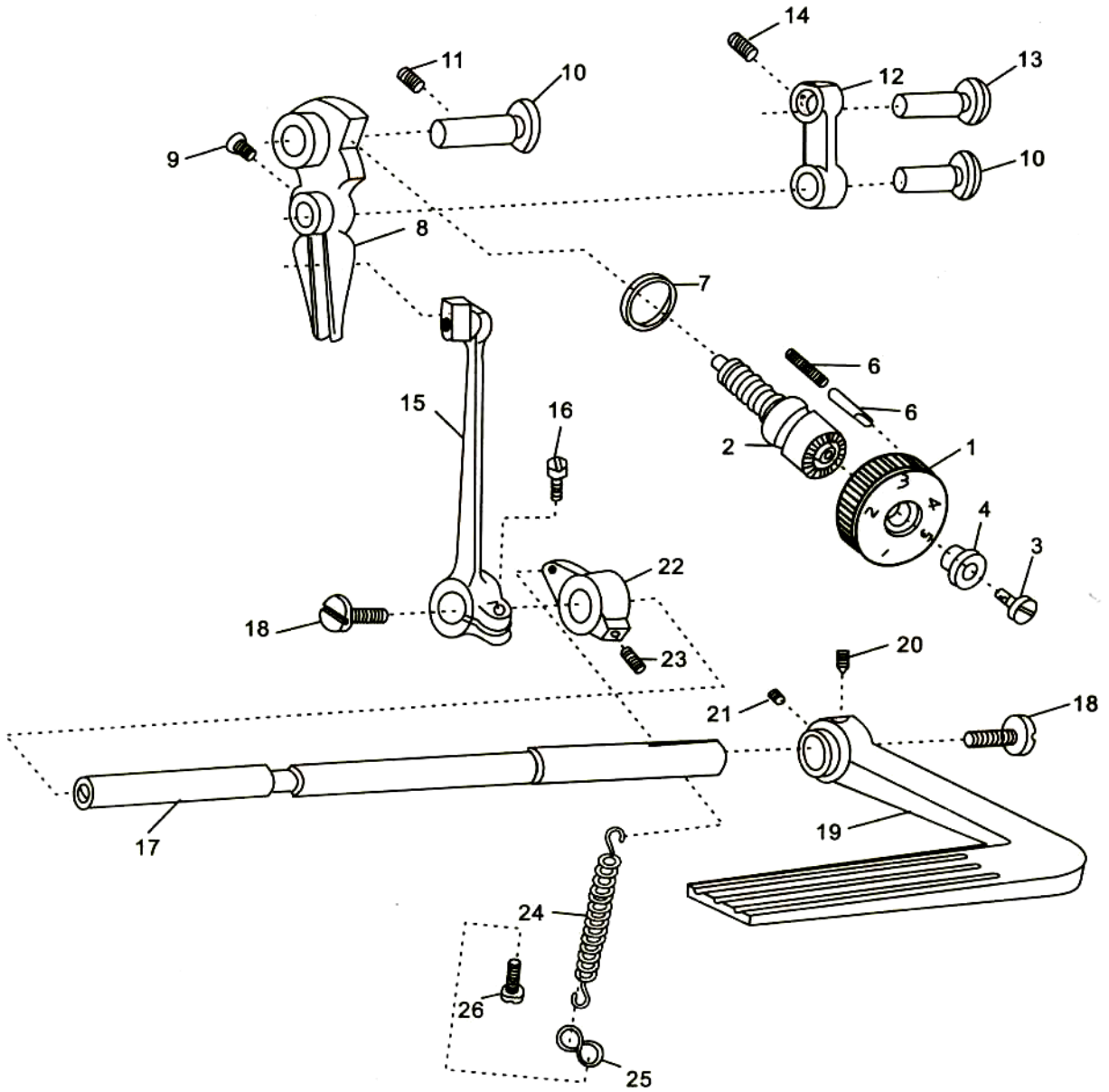


#### 4. Rotating hook and is shaft

No.	Part number	Name	Qt.	Remark
1	33T1 - 020L	Hook shaft complete	1	
2	22T4 - 002B1	Collar	1	
3	J0 • 0 • 35	Screw	2	SM15/64"x28x4.5
4	33T1 -021M1	Rear bushing	1	
5	33T1 -021M2	Felt	1	
6	J0 • 0 • 81	Screw	1	SM15/64"x28x 7.5
7	33T1 -019K1 -A	Front bushing	1	
8	33T1 -019K2-A	Felt	1	
9	33T1 -018J	Rotating hook complete	1	
10	33T1 -018J3	Screw	3	SM11/64"x40x8
11	33T1 - 027	Bobbin	1	
12	33T1 - 028R	Bobbin case complete	1	
13	33T1 - 029	Position finger	1	
14	22T4-015	Screw	1	SM11/64"x40x10



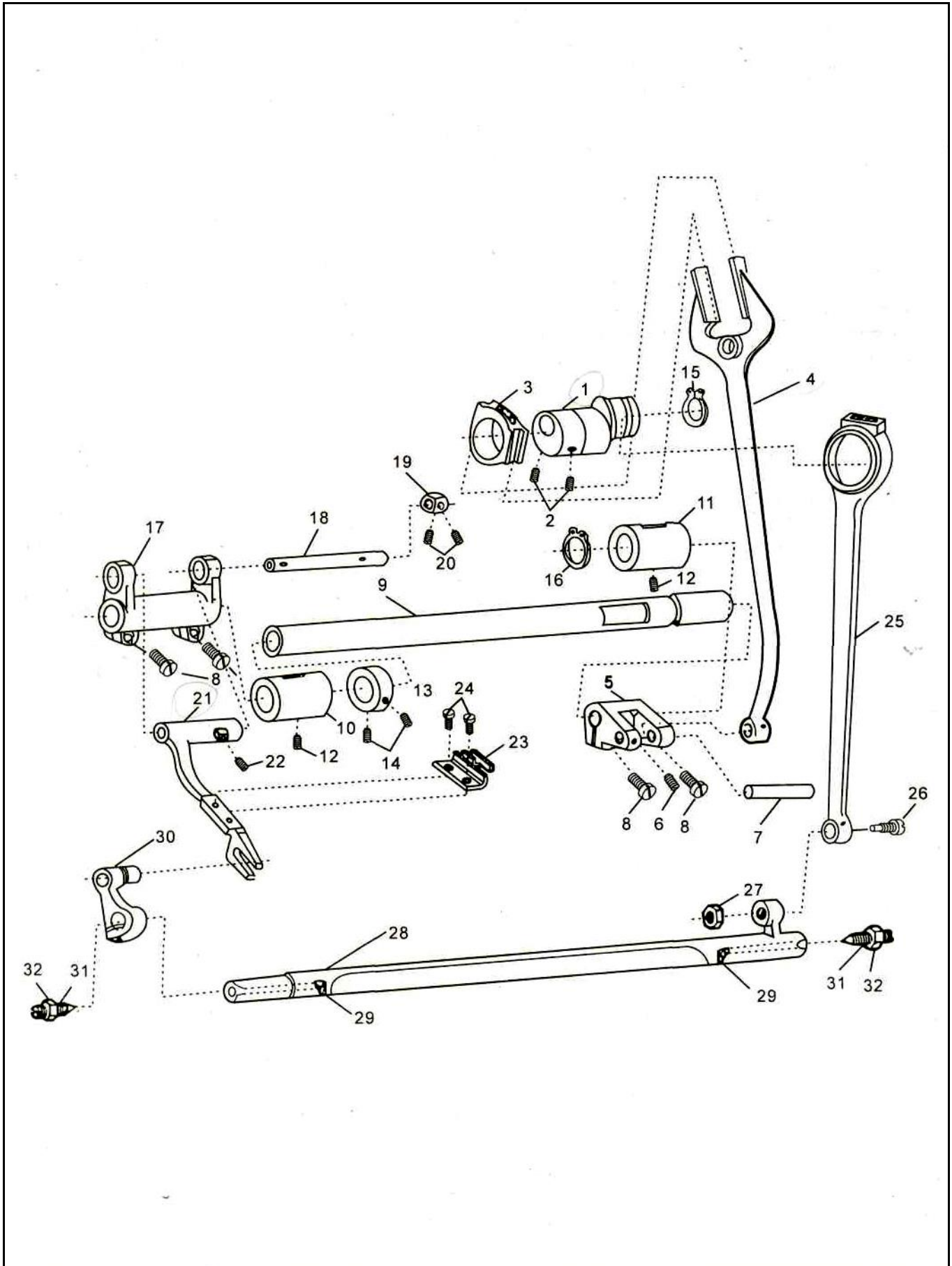
# 5. Stitch length regulating



## 5. Stitch length regulating

No.	Part number	Name	Qt.	Remark
1	33T2-012	Stitch length dial	1	GC6-6-1 33T2-012-1
2	33T2-011	Stitch length adjusting screw screw bar	1	
3	22T5 - 006C3	Screw	2	SM3/16"x28x 13
4	22T5 - 007	Rubber plug	1	
5	22T5 - 008	Stop pin	1	
6	22T5 - 009	Spring	1	
7		O-type ring	1	O 14x2.4
8	33T2-013-A	Swing bar	1	GC6-6-1 36T2-022
9	17T5-010	Set screw	1	SM1/4"x40x9
10	33T2-024-A	Hinge shaft	2	
11	J0 • 0 • 81	Screw	1	SM15/64" x 28x7.5
12	33T2 - 025 -A	Stitch length link	1	
13	33T2 - 026 -A	Pin	1	
14	22T2 - 005B3	Set screw	1	SM1/4"x40x7
15	33T2-19C	Reverse feed swing lever complete	1	
16	22T6-001A1b	Screw	1	SM3/16"x28x12
17	33T2 - 020	Reverse feed shaft	1	
18	17T5-019	Screw	2	SM3/66"x 32x10
19	17T5-015	Reverse feed lever	1	
20	17T5-017	Set screw	1	SM15/64"x28x8
21	17T5-016	Set screw	1	SM15/64"x28x6.5
22	33T2 - 021	Reset lever	1	
23	6A6 - 08A	Screw	1	SM1/4"x40x12
24	33T2 - 022	Spring	1	
25	33T2 - 023	Set hook for spring	1	
26	22T1 - 006	Screw	1	SM11/64"x40x9

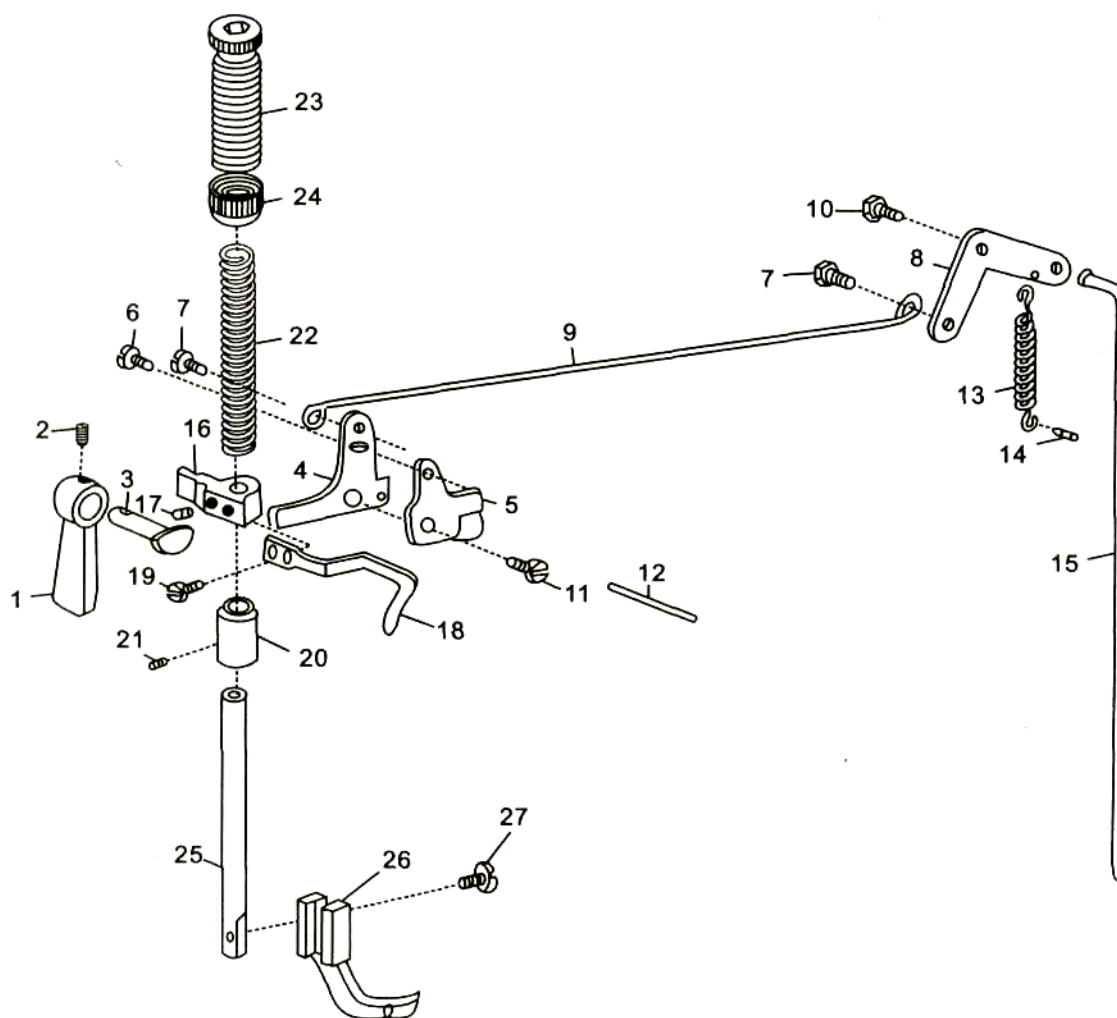
## 6. Bottom feed



## 6. Bottom feed

No.	Part number	Name	Qt.	Remark
1	33T2-14-A	Feed cam	1	
2	22T1 -013	Screw	2	SM15/64" x 28x8
3	22T3-009D1a2	Slide block complete	1	
4	33T2-17-A	Fork	1	
5	34T2 - 202 - A	Feed crank	1	
6	22T6-001A1b	Screw	1	SM11/64" x 40x4.5
7	34T2 - 203	Pin	1	
8	22T6-001A1b	Set screw	2	SM3/16"x28x15
9	33T2 - 008 - A	Feed shaft	1	
10	33T2 - 028 - A	Front bushing	1	
11	33T2 - 027 - A	Rear shaft	1	
12	J0 • 0 • 81	Screw	2	SM15/64"x28x7.5
13	22T3 - 002B1	Collar for upper shaft	1	
14	22T2 - 005B3	Screw	2	SM1/4"x40x7
15		Stop ring	1	GB894.1-86-20
16		Stop ring	1	GB894.1-86-14
17	33T2 - 029 - A	Front crank	1	
18	33T2 - 006	Feed dog shaft	1	
19	33T2 - 007	Collar	1	
20	22T1 -012F8	Screw	2	SM9/64"x40x6
21	33T2 - 005	Feed dog support	1	
22	61 - 04 - 01/B3-Z1	Screw	2	SM1/8"x40x4.5
23	61 -04-01/B7	Feed dog	1	
24	J0 • 0 • 51	Screw	2	SM1/8"x40x5.5
25	33T2-018B-A	Link	1	
26	17T4-002	Connecting screw	1	
27	J0 • 0 • 63	Nut	1	SM9/32"x28
28	33T2 - 001	Shaft for feed dog lift	1	
29		Oil wick	2	Φ 35
30	33T2 - 004A	Feed dog lift crank complete	1	
31	33T2 - 002	Screw	2	SM3/8"x 28x31
32	33T2 - 003	Nut	2	

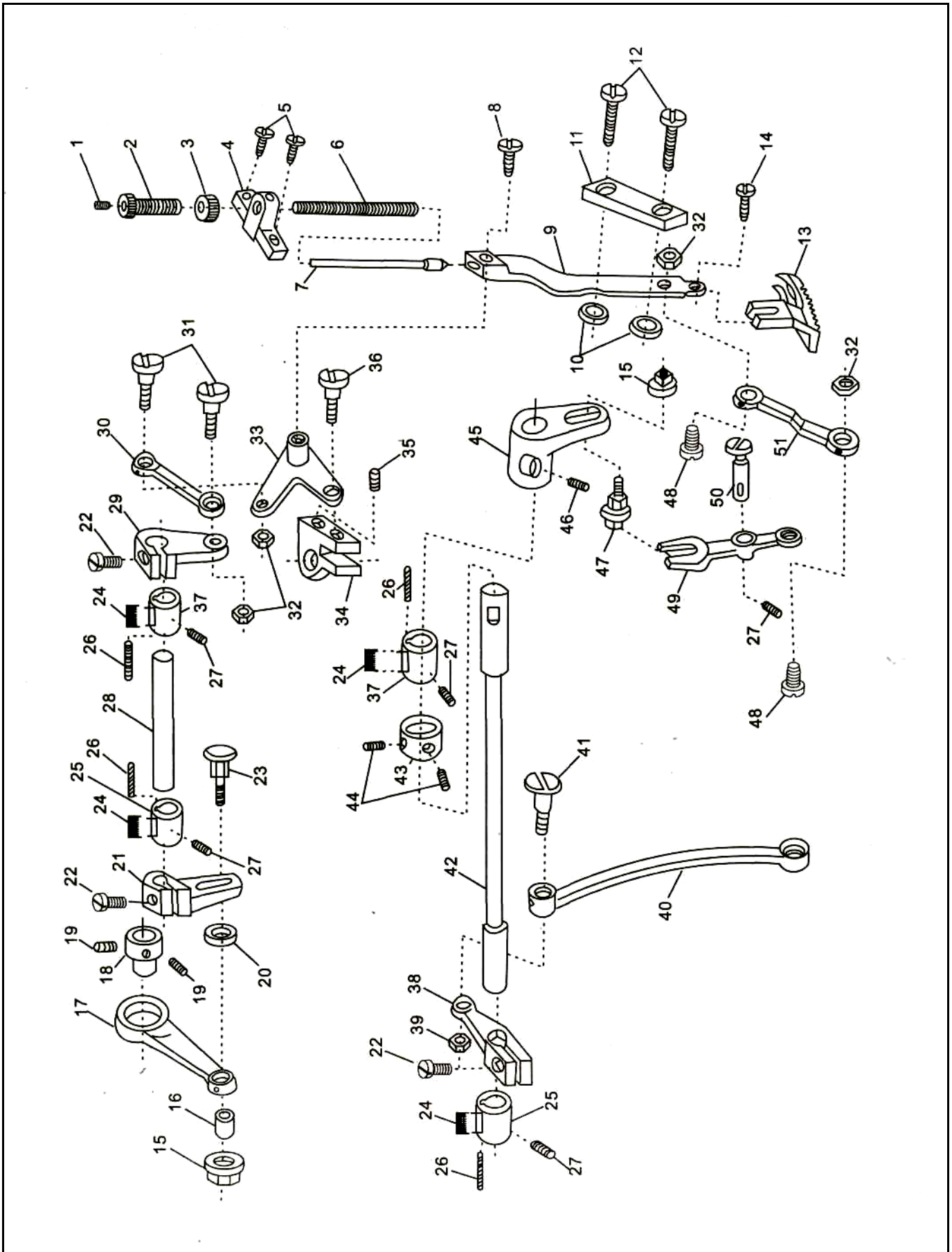
## 7. Presser bar



## 7. Presser bar

No.	Part number	Name	Qt.	Remark
1	34T3 - 304	Presser bar lifter	1	
2	22T7-001A2	Screw	1	SM11/64"x40x6
3	33T3 - 004	Presser bar lifting cam	1	
4	22T7-004B1a	Knee lifter lever(left)	1	
5	22T7-004B1b	Tension releasing cam	1	
6	22T7-004B1c	Knee lifter lever (left)screw	1	SM11/64"x40x6.5
7	22T7-004B12	Screw	2	SM3/16"x28x7
8	22T7 - 007c1	Knee lifter lever(right)	1	
9	33T3 - 004B3	Knee lifter link	1	
10	22T7 - 005B	Knee lifter lever(right)screw	1	SM15/64"x28x10
11	22T7 - 005A	Screw	1	SM15/64"x28x 13
12	22T7 - 006	Tension releasing rod	1	
13	22T7 - 007c2	Spring	1	
14	22T7 - 008	Connecting spring pin	1	
15	33T3 - 001	Knee lifter lever lifting rod	1	
16	22T7-011D1	Presser bar guide bracket	1	
17	22T1 -013	Screw	1	SM15/64"x28x8
18	22T7-016	thread guide	1	
19	22T2 - 004	Screw	1	SM15/64"x40x5.5
20	34T3 - 035	Presser bar bushing	1	
21	22T1 -013	Screw	1	SM15/64"x28x8
22	34T3 - 302	Spring	1	
23	34T3 - 301	Pressure regulating thumb screw	1	
24	22T7-014E2	Lock nut	1	
25	34T3 - 303	Presser bar	1	
26	34T3 - 306	Presser foot	1	
27	22T-015	Screw	1	SM9/64"x40x 11

# 8. Top feed

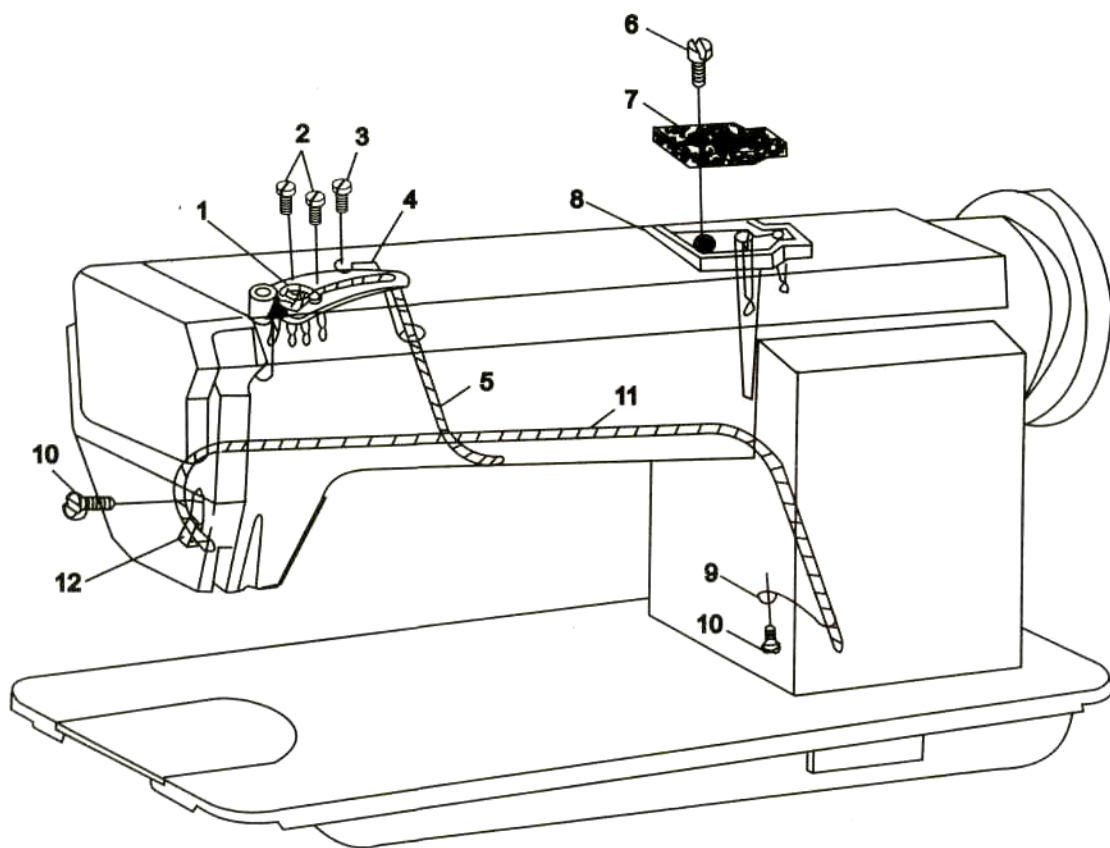


## 8. Top feed

No.	Part number	Name	Qt.	Remark
1	35T5 - 501	Oil felt	1	
2	35T5 - 502	Screw	1	
3	35T5 - 503	Lock nut	1	
4	35T5 - 504	Screw bracket	1	
5	01/13504	Screw	2	
6	35T5 - 505	Spring	1	
7	35T5 - 506	Pressure regulating rod	1	SM3/16"x28x15.5
8	34T5 - 525b	Screw	1	
9	34T5-510	Walking presser foot link	1	
10	34T5-511	Shim	2	
11	34T5-512	Walking presser foot guideway	1	
12	34T5 - 525	Screw	2	SM3/16"x28x11
13	34T5-515	Walking presser foot	1	
14	22T5-015	Screw	1	SM3/64"x40x11
15	34T5-518	Regulating nut	2	
16	34T5-519	Washer	1	
17	34T5 - 520	Presser foot lift eccentric wheel link	1	
18	34T5-516	Presser foot lift eccentric wheel	1	
19	01/B602	Screw	2	SM15/64" x28x 7.5
20	34T5 - 521	Washer	1	
21	34T5-517	Rear crank	1	
22	34T5 - 540	Screw	3	
23	34T5 - 522	Screw	1	
24	34T5 - 536b	Oil felt	4	
25	34T5 - 536a	Rear bushing	2	
26	34T5 - 536c	Oil wick	4	Φ2 x20
27	J0 • 0 • 35	Set screw	5	SM15/64"x28x4.5
28	34T5 - 537	Presser foot lift shaft	1	
29	34T5 - 535	Front crank for presser foot lift shaft	1	
30	34T5 - 534	Presser foot lift connecting rod	1	
31	34T5 - 507	Screw	2	
32	34T5 - 508	Nut	4	
33	34T5 - 526	Presser foot lift bell crank	1	
34	34T5 - 528	Position block	1	
35	01/B308	Set screw	1	SM15/64" x28x6
36	34T5 - 527	Screw	1	
37	34T5 - 538a	Front bushing	2	
38	34T5 - 523	Walking presser foot rear crank	1	
39	61 -04-01/B06	Connecting nut	1	
40	34T5 - 524	Walking presser foot connecting rod	1	
41	17T4-002	Connecting screw	1	
42	34T5 - 539	Walking presser foot shaft	1	
43	34T5 - 532	Collar	1	
44	22T3 - 002B2	Screw	2	SM1/4"x40x5
45	34T3 - 533	Walking presser foot front crank	1	
46	01/B902	Screw	1	SM15/64" x28x9
47	34T5 - 529	Slide block assembly	1	
48	34T5-513a	Screw	2	
49	34T5 - 529	Walking presser foot forked connection	1	
50	34T5 - 530	Forked connection stud	1	
51	34T5 - 514	Walking presser foot connecting rod	1	



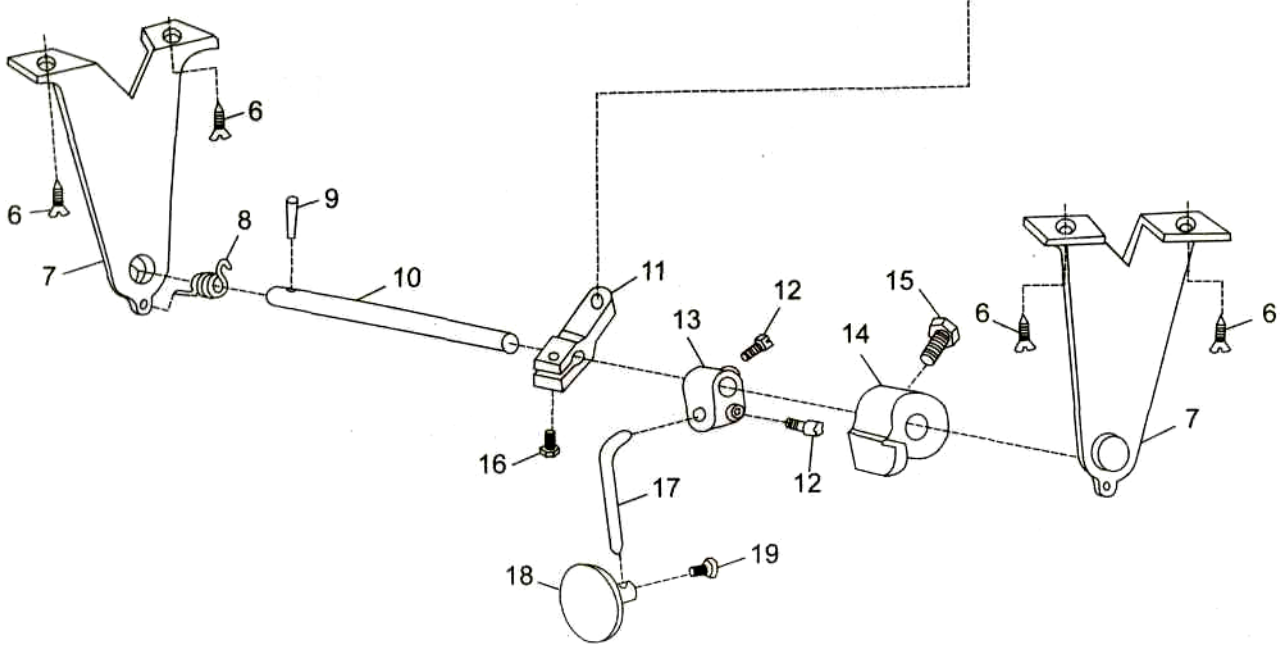
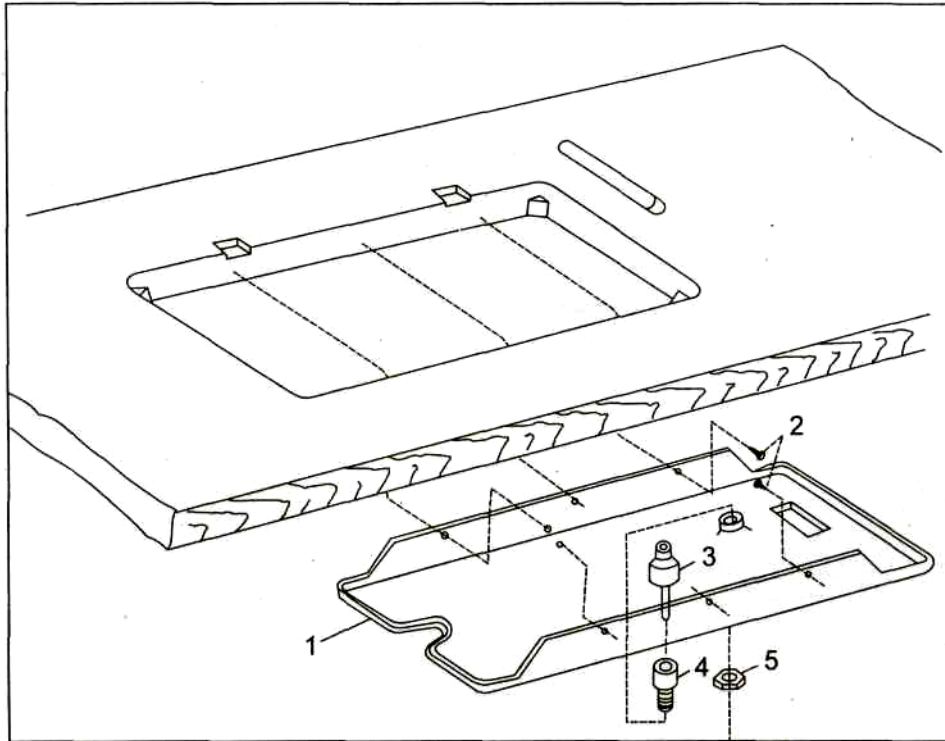
## 9. Lubrication



## 9. Lubrication

No.	Part number	Name	Qt.	Remark
1	22T8-011C	Oil wick fixing plate assembly	1	
2	22T8-012	Screw	2	SM/64"x40x11
3	22T8-011C4	Screw	1	SM9/64"x40x4.5
4	22T8-011C5	Oil wick fixing hook	1	
5	22T8-0113	Oil wick	1	
6	33T4 -005B2	Screw	1	SM11/64"x40x16
7	33T4 -005B3	Felt	1	
8	33T4 -005B1	Small oil reservoir	1	
9	33T4-010	Position hook	1	
10	22T2-004	Screw	2	SM11/64"x40x5.5
11		Oil wick	1	
12	22T8-016	Long oil wick clamp	1	

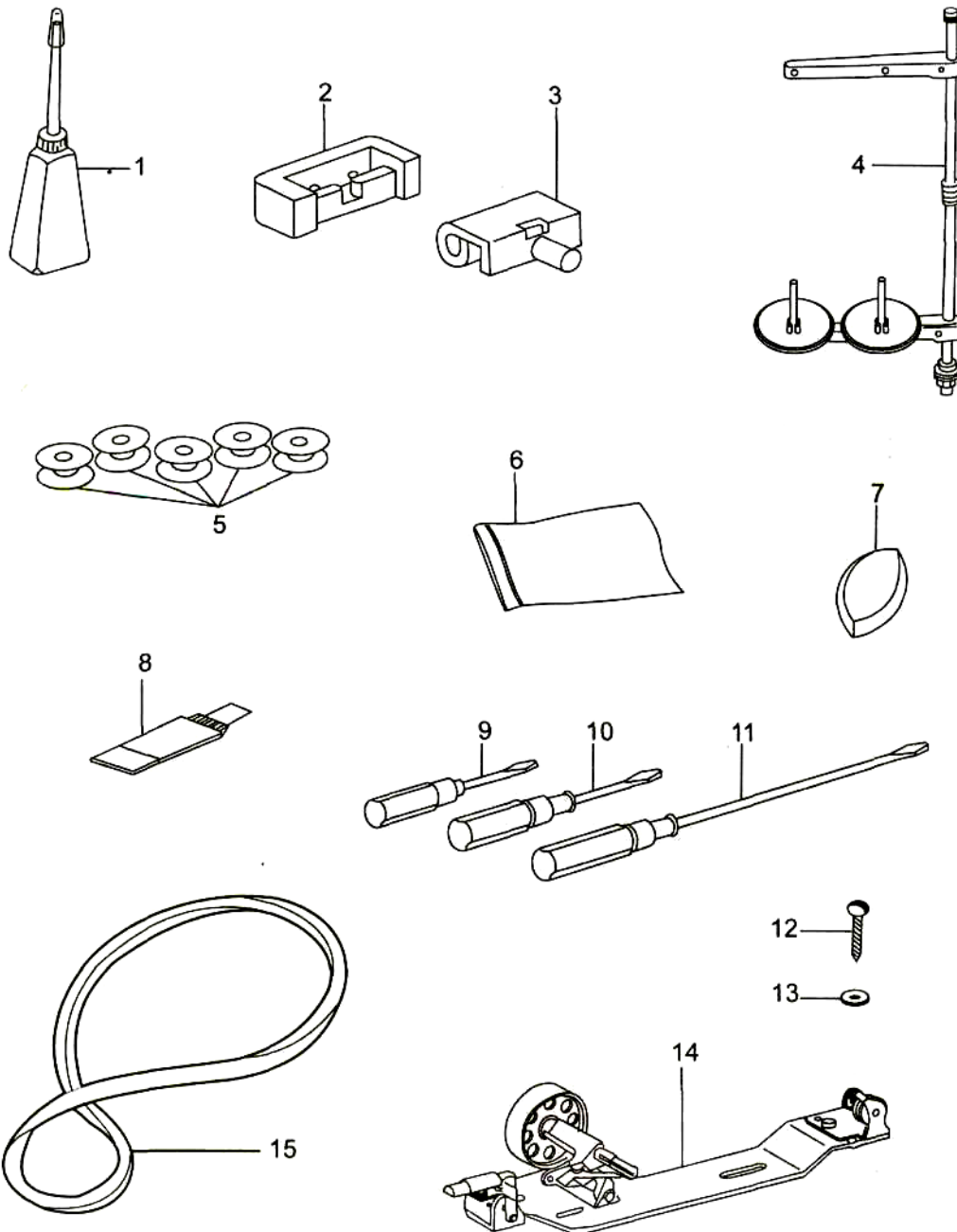
# 10. Oil reservoir and knee lifter



## 10. Oil reservoir and knee lifter

No.	Part number	Name	Qt.	Remark
1	33T5 - 001	Oil reservoir	1	
2		Nail	6	L22
3	33T5 - 003	Knee lifter prop rod	1	
4	33T5 - 004	Guide bushing	1	
5		Hexagonal nut	1	M12x1 GB6172-86
6		Wood screw	4	ST4.8x25 GB5284-85
7	33T5 - 005	Knee lifter rock shaft bracket	2	
8	33T5 - 006	Spring	1	
9		Spring pin	1	3x12 GB119-86
10	33T5 - 007B1	Knee lifter rock shaft	1	
11	33T5 - 002	Knee lifter crank	1	
12		Screw	4	M8x12 GB821-88
13	33T5 - 008	Joint	1	
14	33T5-011E1	Stop dog	1	
15	33T5 - 009	Knee lifter bell crank	1	
16	33T5-010F	Knee lifter knee plate assembly	1	
17		Set screw	1	M6x10 GB5782-86

## 11. Accessories



## 11. Accessories

No.	Part number	Name	Qt.	Remark
1	33TF - 011	Oil pot	1	
2	33T7 - 003	Hinge	2	
3	33T7 - 002	Rubber coat	2	
4	33TF-019	Spool stand complete	1	
5	33T1 - 027	Bobbin	5	
6	33TF-010	Parts bag	1	
7	33T7 - 004	Arm vibration proof washer bock	4	
8	1F - 009	Needle	1	DPx17 21 <sup>#</sup>
9	33TF-014	Screwdriver(small)	1	
10	33TF-013	Screwdriver(medium)	1	
11	33TF-012	Screwdriver(big)	1	
12	33TF-017	Wood screw	2	ST4.8x19GB5282-85
13	33TF-018	Washer	2	6 GB848-85
14	S14420020	Bobbin winder assembly	1	
15	33TF-016	V-belt	1	O 1050